



## **SPWG Notebook Panel Specification Version 3.8**

### **Purpose:**

SPWG (Standard Panel Working Group) was formed to establish a set of standard LCD panels with dimensions and interface characteristics that allow both notebook and LCD supplier industries to manage the volatile LCD supply and demand in an easier fashion. This effort enables panels from multiple LCD suppliers to be used in most notebooks (or other products utilizing these standard panels) that are designed around these Standard Panels without changing either the notebook/product or the LCD panel module tooling.

### **Summary:**

To date, the notebook and panel industry has been plagued by an overabundance of unique/custom designs from the many LCD suppliers in the industry. This has in turn, forced the notebook OEM's and other end-product users to change their packaging, interface design and tooling literally every time a new panel supplier or module has been used. This leads to schedule slippages, missed market opportunities, and logistic and product obsolescence problems. Similarly, many times this problem has blocked some LCD manufacturers from being considered as a potential supplier due to the magnitude of changes that their design would force on the notebook end product. As more panel suppliers come on line in the near future, this style of independent designs would only increase this problem for both the notebook OEM's as well as the LCD suppliers. In an attempt to lessen this problem, these requirements are being established with the aid of PC makers, notebook OEMs, LCD panel suppliers, and other parties related to the development of notebook displays.

Version 3.8 adds a new panel size, 13.3" Wide, and incorporates its option for an integrated inverter. Backward compatibility with existing SPWG panels is maintained. As in earlier versions no limits are placed on the LCD panel feature sets. HRS DF19KR-20P-1H I/O connector option was added to the 12.1"W panel.

### **Warranty:**

The contributors acknowledge that this document is provided "AS IS" WITH NO WARRANTIES WHATSOEVER, WHETHER EXPRESS, IMPLIED OR STATUTORY, INCLUDING, BUT NOT LIMITED TO ANY WARRANTY OF MERCHANTABILITY, NONINFRINGEMENT, FITNESS FOR ANY PARTICULAR PURPOSE, OR ANY WARRANTY OTHERWISE ARISING OUT OF ANY PROPOSAL, SPECIFICATION, OR SAMPLE.

**Intellectual Property:**

The contributors to this document acknowledge that each may have patent rights. Except for the rights expressly provided by this agreement, no promoter grants or receives, by implication, estoppels or otherwise, any rights under any patents or other intellectual property. This document is developed without regard to whether its adoption may involve any patents, articles, materials, or processes. The adoption of this document does not assume any liability to any patent owner, nor does it assume any obligation to parties adopting to use this standard.

**Trademarks:**

All trademarks used within this document are the property of their respective owners; VESA is a trademark of Video Electronics Standard Association, LVDS is a trademark of National Semiconductor, HRS is a trade mark of Hirose Electric Company Ltd., Honda is a trademark of Honda Connectors, Inc., I<sup>2</sup>C is a trademark of Philips, JAE is a trademark of Japan Aviation Electronics Industry, Ltd., JST is a trademark of JST Manufacturing Co, Ltd., PC99 is a trademark of Microsoft Corporation.

**Support:**

The Standard Panel Working Group, which consists of many of the major notebook suppliers, in conjunction with many of the leading LCD suppliers, and other parties related to the development of notebook displays, have established these mechanical and electrical standards defined herein. This document has been refined through a number of proposal/feedback review cycles with these suppliers.

This document is intended as a reference document only for both notebook OEMs and panel suppliers and other parties related to the development of notebook displays. Users of this document should not base final end-product designs (notebook or other) on this document, but instead should utilize the display supplier's detailed drawings and specifications for full documentation.

## What is New in SPWG Version 3.8

| Item Description                                                               | SPWG Ver. 3.5            | SPWG Ver. 3.8            |
|--------------------------------------------------------------------------------|--------------------------|--------------------------|
| 13.3"W XGA and 13.3"W SXGA+ panel added to size and resolution table.          | Section 3.0              | Section 3.0              |
| 13.3" W panel defined (drawing)                                                | N/A                      | Section 4.4.             |
| 13.3"W panel with inverter defined (drawing)                                   | N/A                      | Section 8.3.             |
| I/O Connector option, (HRS) DF19KR-20P-1H, introduced on 12.1"W panel drawing. | Section 4.2.             | Section 4.2.             |
| 13.3"W added to Inverter Integration                                           | Section 8.0              | Section 8.0.             |
| 13.3"W JAE Inverter I/O Connector pin-out defined.                             | Section 8.1.2            | Section 8.1.2.           |
| 13.3"W added to panel sizes and resolutions                                    | Section 3.0              | Section 3.0.             |
| (HRS) DF19KR-20P-1H connector added.                                           | Section 4.0,<br>Note 6.  | Section 4.0.<br>Note 6.  |
| 13.3"W I/O connector pin-out added.                                            | Section 5.1              | Section 5.1              |
| References to VESA's EDID and EEDID have been removed at VESA's request.       | Full Document            | Full Document            |
| Added new SPWG connector suppliers                                             | Section 4.0<br>Note 5 &6 | Section 4.0<br>Note 5 &6 |
| Fixed typo "employees" to "employs"                                            | Section6.0               | Section 6.0              |

# Table of Contents

**1.0 Introduction & Overview:**

**2.0 Reference Documents:**

**3.0 Panel Resolution & Aspect Ratio:**

**4.0 Mechanical Properties:**

**5.0 Electrical Interface:**

**6.0 Optical Measurement:**

**7.0 Power Measurement:**

**8.0 Inverter Integration:**

**9.0 Screen Cosmetic Evaluation:**

**10.0 Panel Reliability:**

## **1.0 Introduction and Overview:**

This document defines selected electrical interface requirements and mechanical dimensions for a series of industry compatible panels for XGA (1024x768), WXGA (1280x800, 1440x900), SXGA+ (1400x1050), WSXGA+ (1680x1050), UXGA (1600x1200), WUXGA (1920x1200), and QXGA (2048x1536) resolution LCD panels. These standard panels are defined as having 12.1"12.1"W, 13.3", 13.3"W, 14.1", 14.1"W, 15.0", 15.4"W, and 17.0"W display screens. Through the Panel ID interface, graphics controller BIOS and driver support is provided as well as support for Microsoft PC99 and future PCxxxx requirements.

With most panels used in portable computer designs today, the notebook OEM may have different interface cables, plastic or magnesium enclosures, bezels, bracket assemblies, and EMI shields for every panel used. For each of these parts, there are associated tooling changes required and schedule impacts relative to these tooling changes, to support the use of the different panels. Additionally, the associated documentation and logistics impacts for these different configurations are staggering. Many times these changes and schedule impacts, caused by these changes, eliminate many panel suppliers from being considered as potential 2<sup>nd</sup> sources.

This document establishes common panels for the multiple display sizes/aspect ratios. This enables a Standard Panel to be mounted in any system that has been designed to accept the maximum size Standard Panel of any size defined. The Standard Panel design has been developed to allow LCD panel suppliers the opportunity for product differentiation and still meet the intent of transparent usage across different platforms.

LCD manufacturers that have endorsed the SPWG standard include: AU Optronics, BOE/Hydis, Chi Mei, CPT, HannStar, Hitachi, IDTech, InnoLux, LG.Philips LCD, Mitsubishi, Quanta Display, Samsung, Sharp, Toppoly, Tottori Sanyo, and TMDisplay

Additionally, with the various requirements of PC00 and future PCxxxx versions, the incorporation of panel ID information will allow transparent usage with minimum changes to system BIOS or drivers. The end objective is to specify the panel-timing requirement so that no BIOS or driver changes are required with the use of a new panel

## **2.0 Reference Documents:**

The following documents form a part of this specification to the extent specified herein. The user of this document is advised to ensure they have the latest versions of these reference standards and documents.

- VESA Display Data Channel Standard
- VESA Flat Panel Display Measurement Standard, version 2.0
- Philips I<sup>2</sup>C Bus Specification – Data Handbook I<sup>2</sup>C Peripherals for Microcontrollers
- TIA/EIA-644 Electrical Characteristics of Low Voltage Differential Signaling (LVDS) Interface Circuits
- Intel Common Panel Interface Specification, Nov. 2002, version 1.5.

- VESA file at [www.vesa.org](http://www.vesa.org) , FPDMSU.ppt
- VESA Coordinated Video Timing Generator, revision 1.1, April 9, 2003

### 3.0 Panel Sizes, Resolutions, & Aspect Ratio:

The notebook display panel sizes, resolutions, aspect ratios, pixel pitch, and pixels per inch covered by this specification are shown in the charts below.

| Panel Size                             | Resolution | Pixels                   | Aspect Ratio |
|----------------------------------------|------------|--------------------------|--------------|
| 12.1", 13.3", 14.1", 15.0"             | XGA        | 1024 x 768               | 4:3          |
| 12.1", 13.3", 14.1", 15.0"             | SXGA+      | 1400 x 1050              | 4:3          |
| 14.1", 15.0"                           | UXGA       | 1600 x 1200              | 4:3          |
| 12.1"W, 13.3"W, 14.1"W, 15.4"W, 17.0"W | WXGA       | 1280 x 800<br>1440 x 900 | 16:10        |
| 12.1"W, 13.3"W, 14.1"W, 15.4"W, 17.0"W | WSXGA+     | 1680 x 1050              | 16:10        |
| 14.1"W, 15.4"W, 17.0"W                 | WUXGA      | 1920 x 1200              | 16:10        |
| 15.0"                                  | QXGA       | 2048 x 1536              | 4:3          |

| Panel Size | Resolution | Pixels                   | Aspect Ratio | Pixel Pitch    | Pixels/Inch* |
|------------|------------|--------------------------|--------------|----------------|--------------|
| 12.1"      | XGA        | 1024 x 768               | 4:3          | 0.240          | 106          |
| 12.1"      | SXGA+      | 1400 x 1050              | 4:3          | 0.176          | 144          |
| 12.1"W     | WXGA       | 1280 x 800<br>1440 x 900 | 16:10        | 0.204<br>0.181 | 125<br>140   |
| 12.1"W     | WSXGA+     | 1680 x 1050              | 16:10        | 0.155          | 164          |
| 13.3"      | XGA        | 1024 x 768               | 4:3          | 0.264          | 96           |
| 13.3"      | SXGA+      | 1400 x 1050              | 4:3          | 0.193          | 132          |
| 13.3"W     | WXGA       | 1280 x 800<br>1440 x 900 | 16:10        | 0.223<br>0.199 | 114<br>128   |
| 13.3"W     | WSXGA+     | 1680 x 1050              | 16:10        | 0.170          | 149          |
| 14.1"      | XGA        | 1024 x 768               | 4:3          | 0.279          | 91           |
| 14.1"      | SXGA+      | 1400 x 1050              | 4:3          | 0.204          | 125          |
| 14.1"      | UXGA       | 1600 x 1200              | 4:3          | 0.179          | 142          |
| 14.1"W     | WXGA       | 1280 x 800<br>1440 x 900 | 16:10        | 0.237<br>0.210 | 107<br>121   |
| 14.1"W     | WSXGA+     | 1680 x 1050              | 16:10        | 0.180          | 141          |
| 14.1"W     | WUXGA      | 1920 x 1200              | 16:10        | 0.158          | 161          |
| 15.0"      | XGA        | 1024 x 768               | 4:3          | 0.296          | 86           |
| 15.0"      | SXGA+      | 1400 x 1050              | 4:3          | 0.217          | 117          |
| 15.0"      | UXGA       | 1600 x 1200              | 4:3          | 0.190          | 134          |
| 15.0"      | QXGA       | 2048 x 1536              | 4:3          | 0.148          | 172          |
| 15.4"W     | WXGA       | 1280 x 800<br>1440 x 900 | 16:10        | 0.259<br>0.230 | 98<br>110    |
| 15.4"W     | WSXGA+     | 1680 x 1050              | 16:10        | 0.197          | 129          |
| 15.4"W     | WUXGA      | 1920 x 1200              | 16:10        | 0.173          | 147          |
| 17.0"W     | WXGA       | 1280 x 800<br>1440 x 900 | 16:10        | 0.287<br>0.255 | 89<br>100    |
| 17.0"W     | WSXGA+     | 1680 x 1050              | 16:10        | 0.219          | 116          |
| 17.0"W     | WUXGA      | 1920 x 1200              | 16:10        | 0.191          | 133          |

Approx values which may vary slightly by LCD supplier.

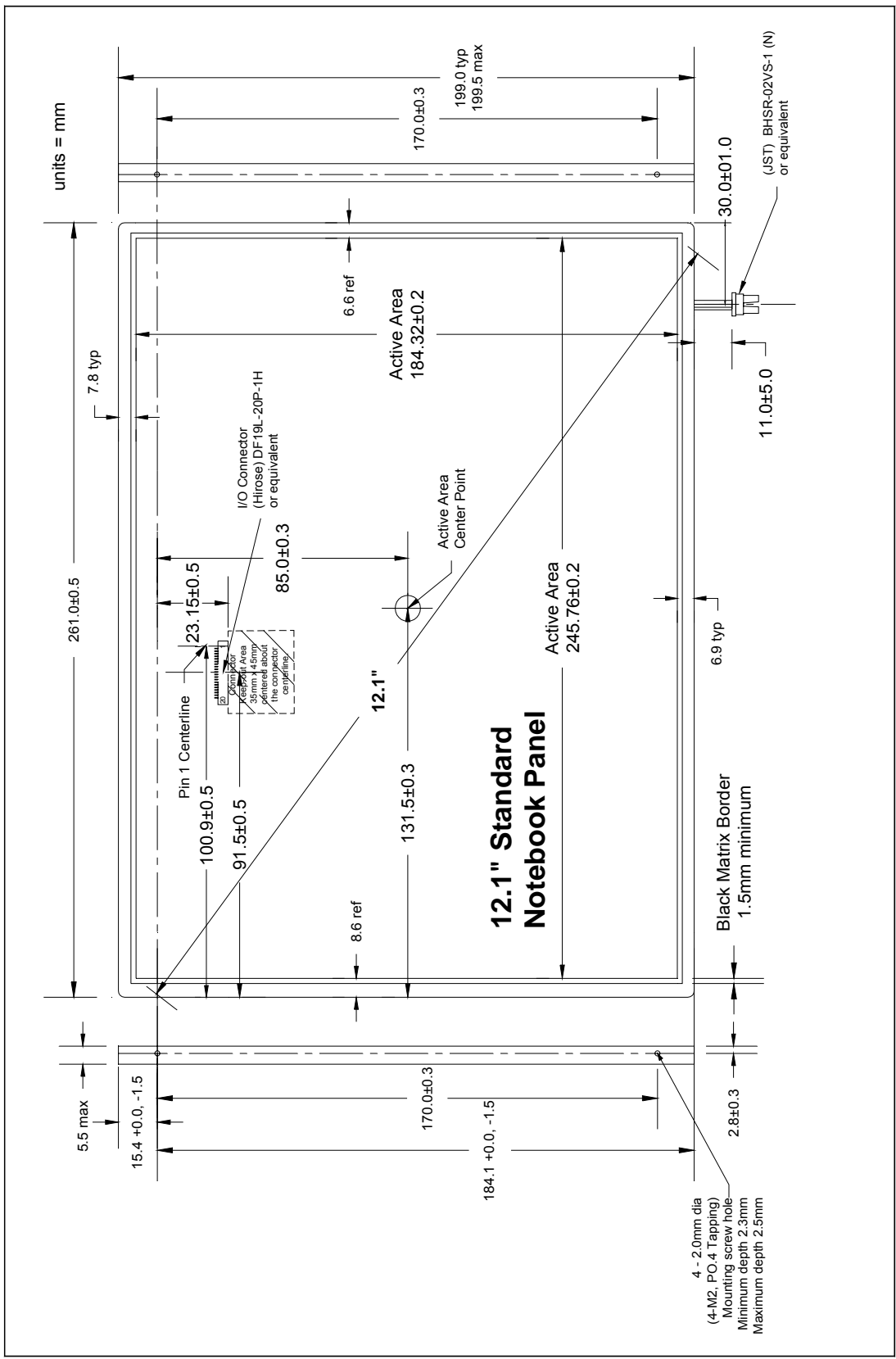
#### 4.0 **Mechanical Properties:**

Drawings for 12.1", 12.1W, 13.3", 13.3"W, 14.1", 14.1"W, 15.0", 15.4"W, and 17.0"W display panels are included in this section.

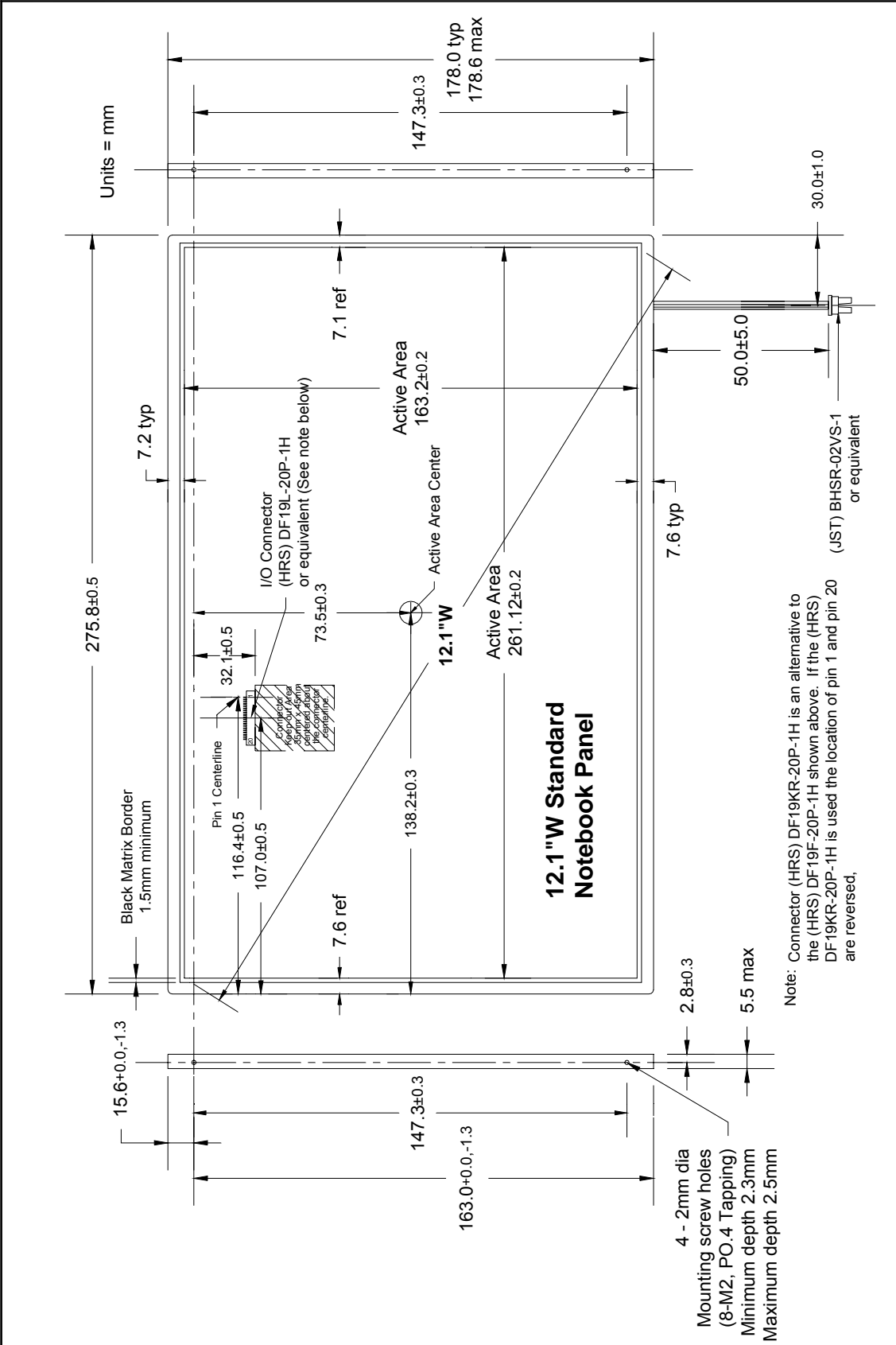
Notes:

1. Notebook display panels have similar mechanical dimensions regardless of their screen resolution. There may, however, be a small variation in active area from one resolution to another caused by variations in pattern stepping capability during TFT fabrication. These small variations will not impact the active area center or the dimension of the system cover bezel.
2. The "units" for all drawings are millimeters.
3. The first and last pin numbers are labeled on the I/O connector.
4. The I/O connector is located on the rear of the panel and is shown as viewed from the panel's front surface.
5. The 30-pin I/O connector is listed as a JAE FI-Xx30Sx-HFxx or the equivalent (locking design preferred). Connector manufacturers that have endorsed the SPWG standard include: DDK, FCI, Hirose, I-PEX, JAE, JST, KEL, LG Cable, Starconn, STM, Sunridge, Uju, BizLink, Dai-ichi Seiko, Foxconn, Hosiden, Jui Fang, L7K, Longwell, Methode, Pin Shine, Rapid Conn, Singatron, Suyin, TD1, and Unicorn.
6. The 20-pin I/O connector is listed as a HRS DF19L-20P-1H, HRS DF19KR-20P-1H, or the equivalent. Connector manufacturers that have endorsed the SPWG standard include: DDK, FCI, Hirose, I-PEX, JAE, JST, KEL, LG Cable, Starconn, STM, Sunridge, Uju, BizLink, Dai-ichi Seiko, Foxconn, Hosiden, Jui Fang, L7K, Longwell, Methode, Pin Shine, Rapid Conn, Singatron, Suyin, TD1, and Unicorn.
7. Locking I/O connectors are backwards compatible with non-locking system cables.
8. These drawings cover the display panel module only and do not include an integrated inverter. If an inverter is added to the module the display panel's basic mechanical properties do not change.
9. To support the development of both newer display technologies and ultra thin panels, display panels that are too thin to reliably utilize mounting screws may be developed without incorporating the mounting holes. For these applications, the upper left mounting hole should be replaced with a  $0.5\pm 0.1$ mm diameter reference locator hole,  $2.0\pm 0.3$ mm from the face of the panel. Panel dimensioning should be referenced from the center of this location hole. As such this reference locating hole center becomes the 0, 0 point for dimensioning the panel

**4.1 12.1" Standard Notebook Panel:**

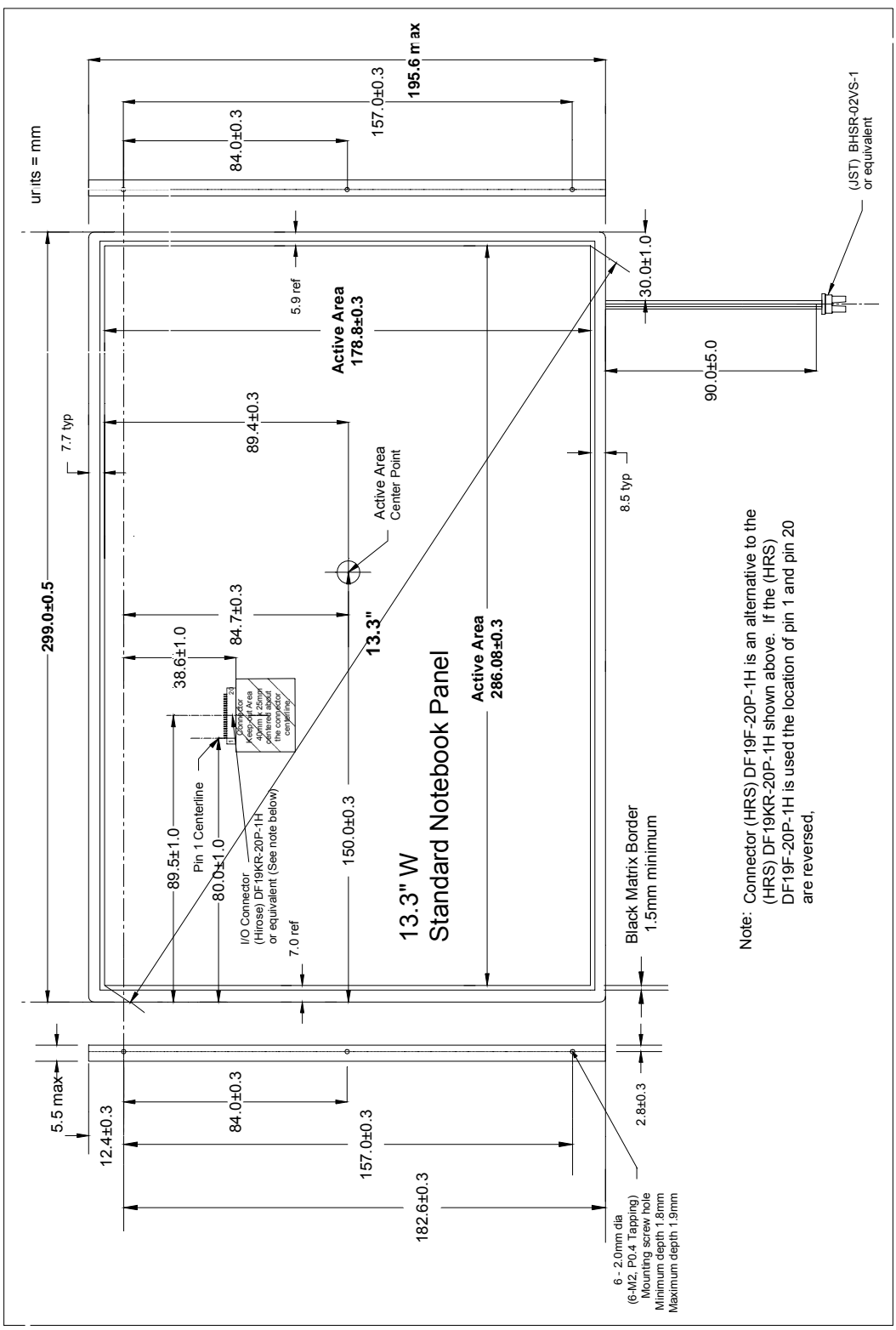


4.2 12.1"W Standard Notebook Panel

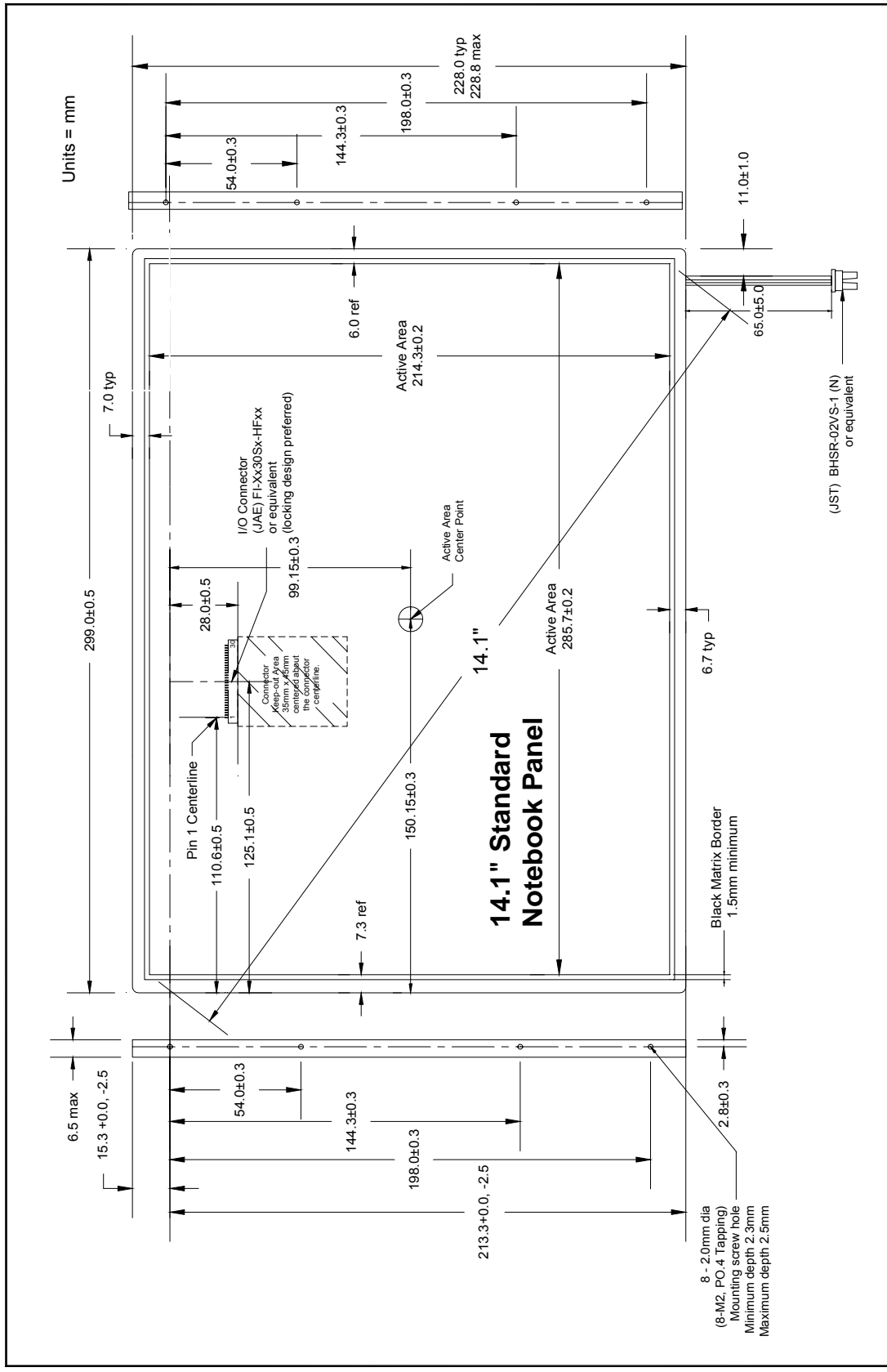




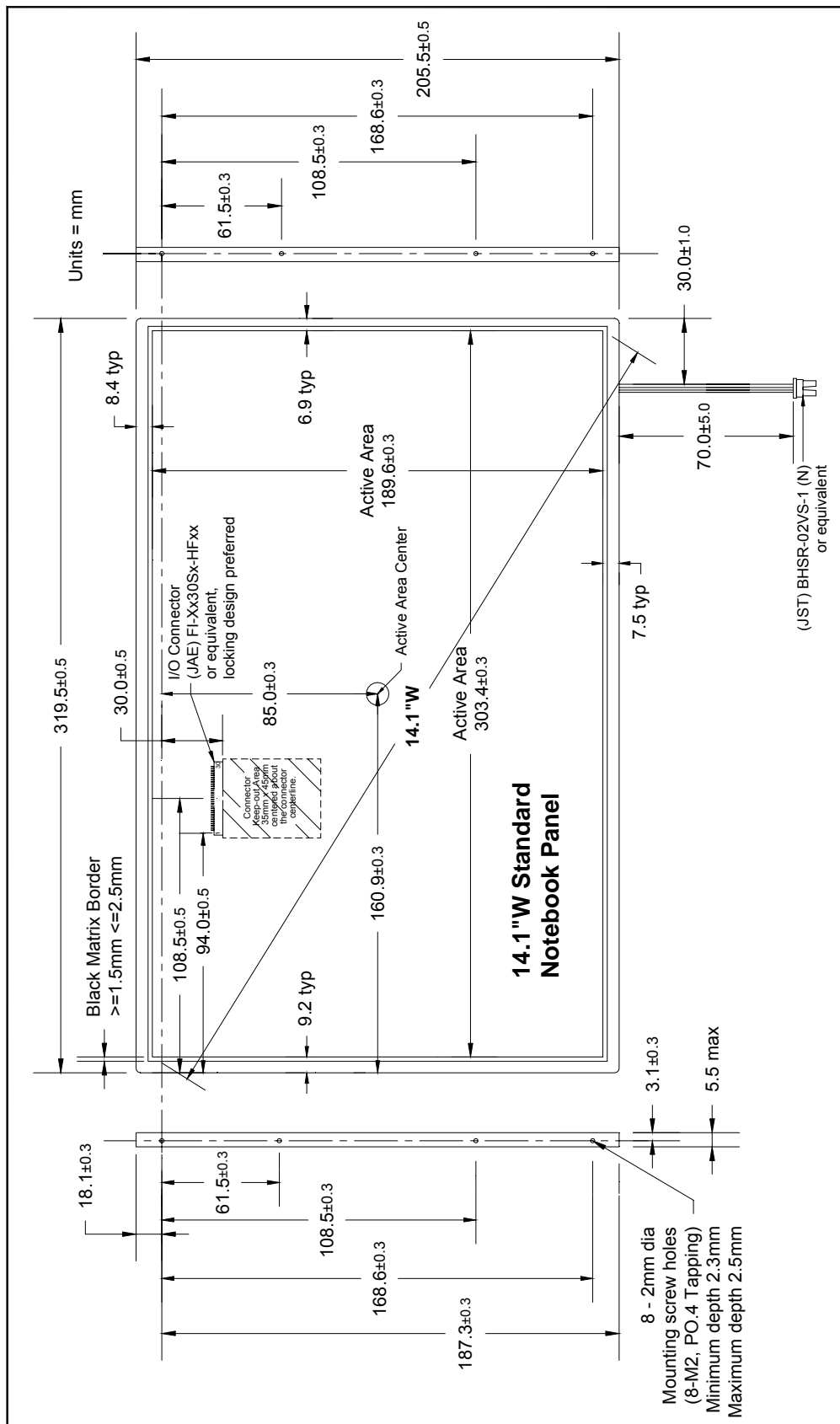
4.4 **13.3" W Standard Notebook Panel**



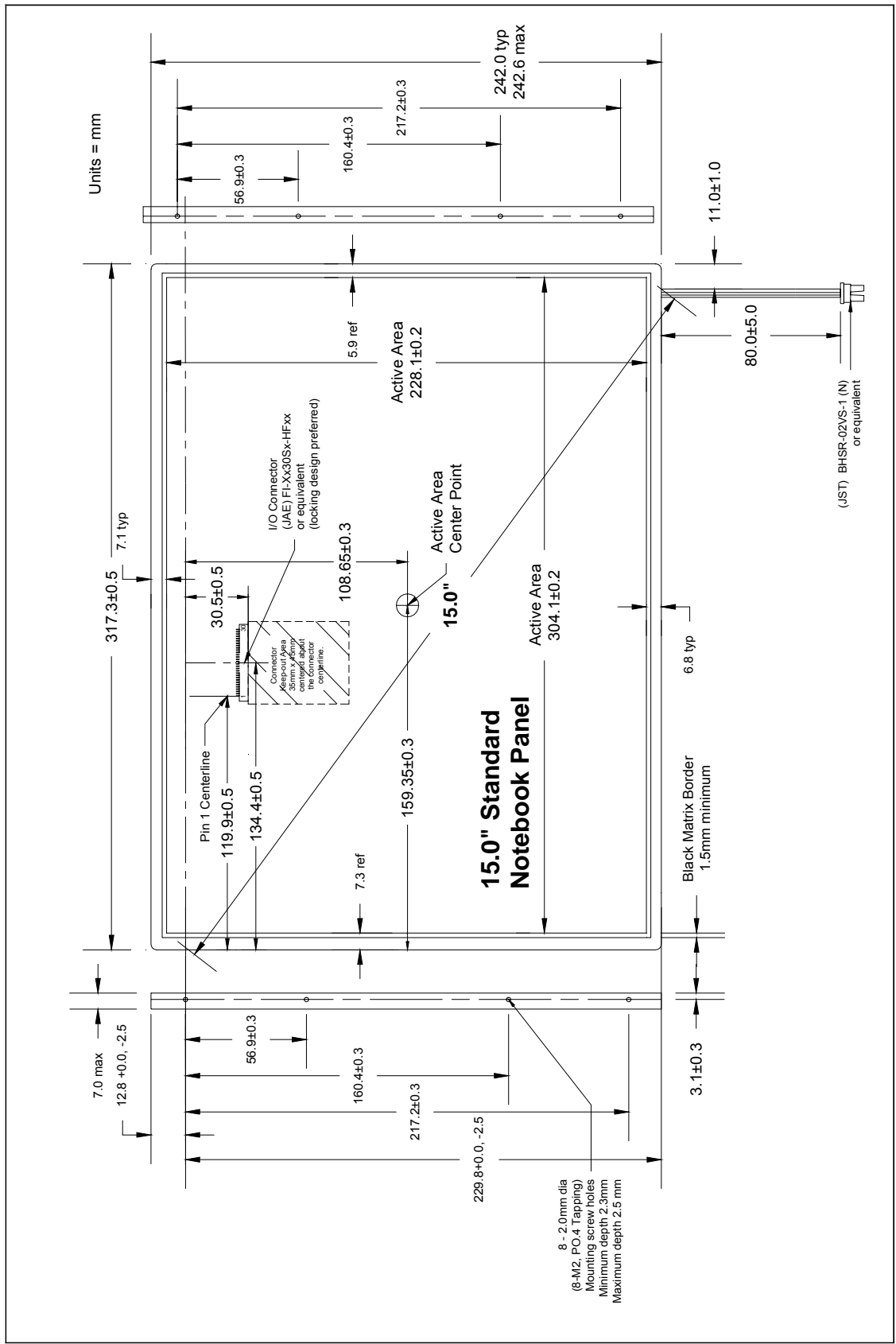
### 4.5 14.1" Standard Notebook Panel



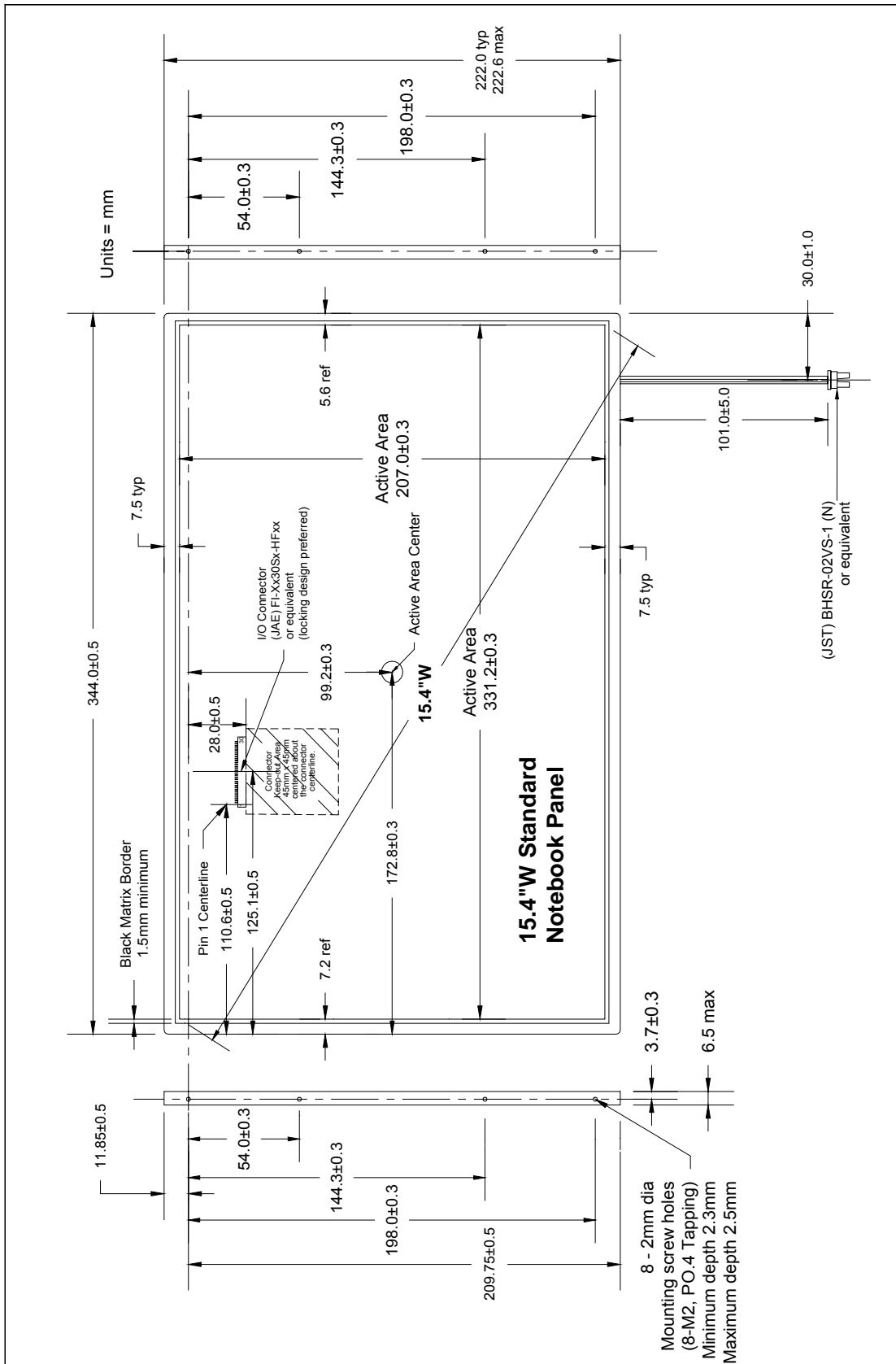
**4.6 14.1"W Standard Notebook Panel**



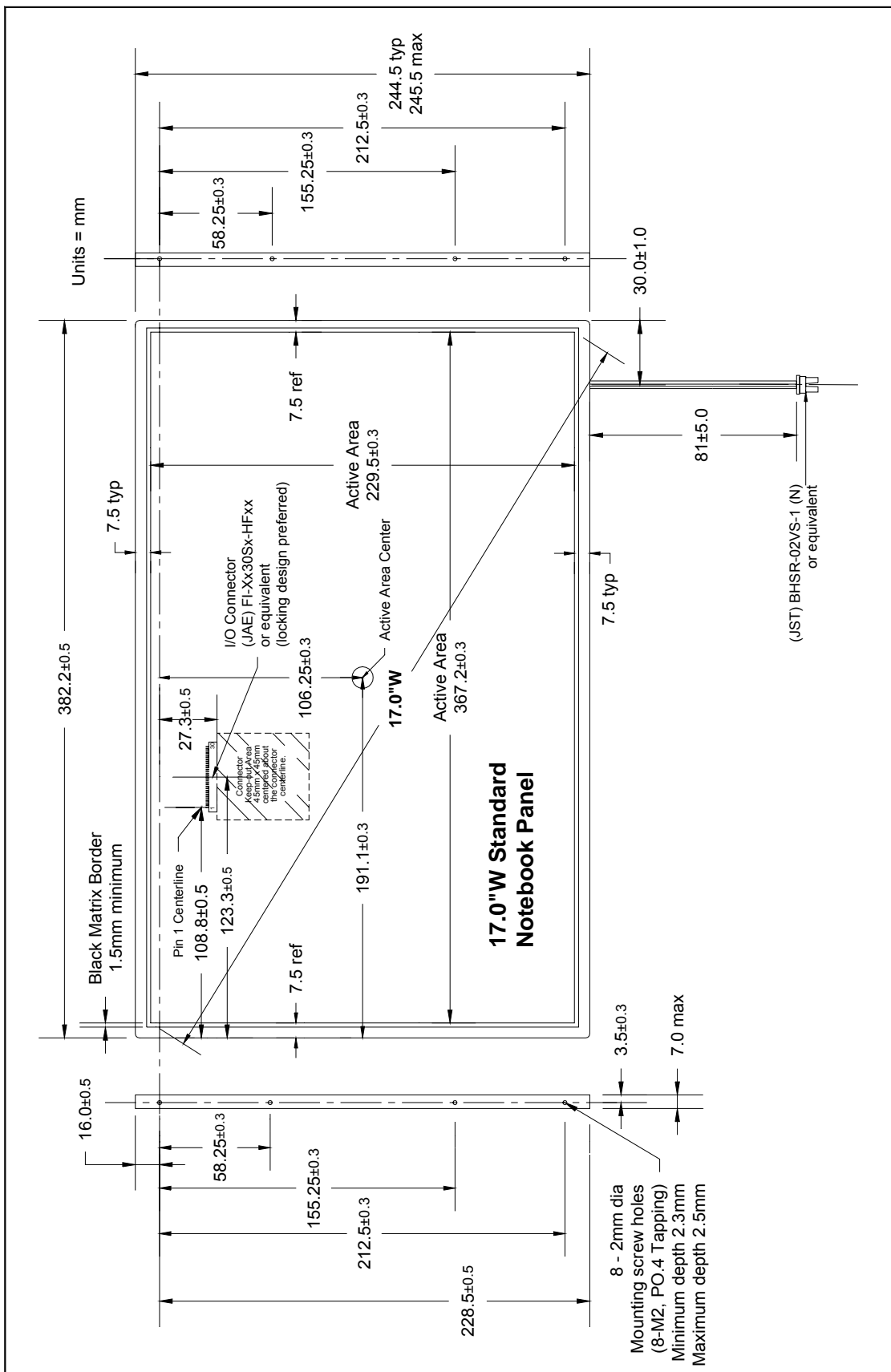
4.7 **15.0" Standard Notebook Panel**



### 4.8 15.4"W Standard Notebook Panel



### 4.9 17.0"W Standard Notebook Panel



## 5.0 Electrical Interface:

### 5.1 Connectors & Pin-Outs

#### 12.1", 12.1"W and 13.3"W Display Interface Cable Pin Assignments.

I/O Connector: (HRS) DF19L-20P-1H / (HRS) DF19KR-20P-1H or equiv. (1 Channel LVDS)

| Pin | Symbol                  | Pin Function                                      |
|-----|-------------------------|---------------------------------------------------|
| 1   | VSS                     | Ground                                            |
| 2   | VDD                     | Power Supply, 3.3 V (typical)                     |
| 3   | VDD                     | Power Supply, 3.3 V (typical)                     |
| 4   | V                       | 3.3 V power                                       |
| 5   | Tp                      | Reserved for LCD supplier test point              |
| 6   | Clk                     | Clock                                             |
| 7   | Data                    | Data                                              |
| 8   | Odd R <sub>IN</sub> 0 - | - LVDS differential data input, R0 – R5, G0       |
| 9   | Odd R <sub>IN</sub> 0 + | + LVDS differential data input, R0 – R5, G0       |
| 10  | VSS                     | Ground                                            |
| 11  | Odd R <sub>IN</sub> 1 - | - LVDS differential data input, G1 – G5, B0 – B1  |
| 12  | Odd R <sub>IN</sub> 1+  | + LVDS differential data input, G1 – G5, B0 – B1  |
| 13  | VSS                     | Ground                                            |
| 14  | Odd R <sub>IN</sub> 2 - | - LVDS differential data input, B2 – B5, HS/VS/DE |
| 15  | Odd R <sub>IN</sub> 2+  | + LVDS differential data input, B2 – B5, HS/VS/DE |
| 16  | VSS                     | Ground                                            |
| 17  | Odd Clk <sub>IN</sub> - | - LVDS differential clock input                   |
| 18  | Odd Clk <sub>IN</sub> + | + LVDS differential clock input                   |
| 19  | VSS                     | Ground                                            |
| 20  | VSS                     | Ground                                            |

#### 13.3", 14.1", 14.1"W, 15.0", 15.4"W, and 17.0"W Display Interface Cable Pin Assignments

I/O Connector: (JAE) FI-Xx30Sx-HFxx or equivalent (2 Channel LVDS)

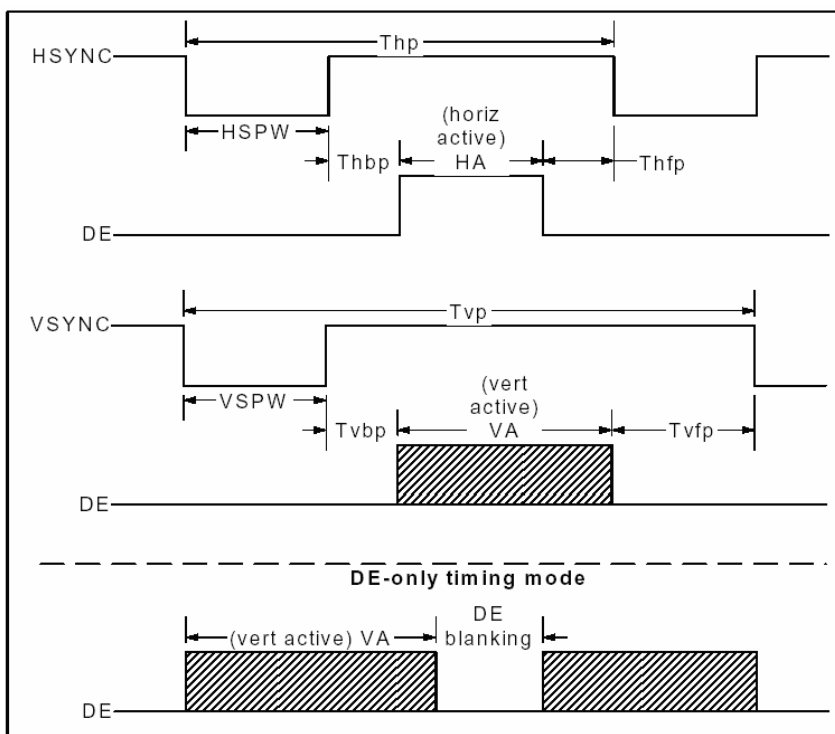
| Pin | Symbol                   | Pin Function                                                                                 |
|-----|--------------------------|----------------------------------------------------------------------------------------------|
| 1   | VSS                      | Ground                                                                                       |
| 2   | VDD                      | Power Supply, 3.3 V (typical)                                                                |
| 3   | VDD                      | Power Supply, 3.3 V (typical)                                                                |
| 4   | V                        | 3.3 V power                                                                                  |
| 5   | Tp                       | Reserved for LCD supplier test point                                                         |
| 6   | Clk                      | Clock                                                                                        |
| 7   | Data                     | Data                                                                                         |
| 8   | Odd R <sub>IN</sub> 0 -  | - LVDS differential data input, R0 – R5, G0 (odd pixels on SXGA+ & higher resolutions)       |
| 9   | Odd R <sub>IN</sub> 0 +  | + LVDS differential data input, R0 – R5, G0 (odd pixels on SXGA+ & higher resolutions)       |
| 10  | VSS                      | Ground                                                                                       |
| 11  | Odd R <sub>IN</sub> 1 -  | - LVDS differential data input, G1 – G5, B0 – B1 (odd pixels on SXGA+ & higher resolutions)  |
| 12  | Odd R <sub>IN</sub> 1+   | + LVDS differential data input, G1 – G5, B0 – B1 (odd pixels on SXGA+ & higher resolutions)  |
| 13  | VSS                      | Ground                                                                                       |
| 14  | Odd R <sub>IN</sub> 2 -  | - LVDS differential data input, B2 – B5, HS/VS/DE (odd pixels on SXGA+ & higher resolutions) |
| 15  | Odd R <sub>IN</sub> 2+   | + LVDS differential data input, B2 – B5, HS/VS/DE (odd pixels on SXGA+ & higher resolutions) |
| 16  | VSS                      | Ground                                                                                       |
| 17  | Odd Clk <sub>IN</sub> -  | - LVDS differential clock input (odd pixels on SXGA+ & higher resolutions)                   |
| 18  | Odd Clk <sub>IN</sub> +  | + LVDS differential clock input (odd pixels on SXGA+ & higher resolutions)                   |
| 19  | VSS                      | Ground                                                                                       |
| 20  | Even R <sub>IN</sub> 0 - | - LVDS differential data input, even pixels, R0 – R5, G0 (NC on XGA resolution)              |
| 21  | Even R <sub>IN</sub> 0 + | + LVDS differential data input, even pixels, R0 – R5, G0 (NC on XGA resolution)              |
| 22  | VSS                      | Ground                                                                                       |
| 23  | Even R <sub>IN</sub> 1 - | - LVDS differential data input, even pixels, G1 – G5, B0 – B1 (NC on XGA resolution)         |
| 24  | Even R <sub>IN</sub> 1 + | + LVDS differential data input, even pixels, G1 – G5, B0 – B1 (NC on XGA resolution)         |
| 25  | VSS                      | Ground                                                                                       |
| 26  | Even R <sub>IN</sub> 2 - | - LVDS differential data input, even pixels, B2 – B5, HS/VS/DE (NC on XGA resolution)        |
| 27  | Even R <sub>IN</sub> 2 + | + LVDS differential data input, even pixels, B2 – B5, HS/VS/DE (NC on XGA resolution)        |
| 28  | VSS                      | Ground                                                                                       |
| 29  | Even Clk <sub>IN</sub> - | - LVDS differential clock input, even pixels (NC on XGA resolution)                          |
| 30  | Even Clk <sub>IN</sub> + | + LVDS differential clock input, even pixels (NC on XGA resolution)                          |

## 5.2 Signal Timing

Notebook signal timing is 18 bit as defined VESA Coordinated Video Timing Generator, revision 1.1, April 9, 2003, with reduced blanking.

### Single LVDS Channel Primary Timing Values at a 60 Hz Frame Rate

| Resolution                   |                      | XGA      | SXGA+     | UXGA      | WXGA(I)  | WXGA(II) | WSXGA+    | WUXGA     | QXGA      |          |
|------------------------------|----------------------|----------|-----------|-----------|----------|----------|-----------|-----------|-----------|----------|
|                              |                      | 1024x768 | 1400x1050 | 1600x1200 | 1280x800 | 1440x900 | 1680x1050 | 1920x1200 | 2048x1536 |          |
| <b>Overall Dot Clock</b>     |                      | Typ      | Typ       | Typ       | Typ      | Typ      | Typ       | Typ       | Typ       | Units    |
| <b>FPD</b>                   | Dot Clock Freq.      | 56.000   | 101.000   | 130.250   | 71.000   | 88.750   | 119.000   | 154.000   | 209.250   | MHz      |
| <b>FPDP</b>                  | Dot Clock Period     | 17.857   | 9.901     | 7.678     | 14.085   | 11.268   | 8.403     | 6.494     | 4.779     | nsec     |
| <b>DCSS</b>                  | Clock Spread         | 0.00%    | 0.00%     | 0.00%     | 0.00%    | 0.00%    | 0.00%     | 0.00%     | 0.00%     | % of Dot |
| <b>Horizontal Parameters</b> |                      |          |           |           |          |          |           |           |           |          |
| <b>Name</b>                  | <b>Definition</b>    | Typ      | Typ       | Typ       | Typ      | Typ      | Typ       | Typ       | Typ       | Units    |
| HA                           | Horizontal Active    | 1024     | 1400      | 1600      | 1280     | 1440     | 1680      | 1920      | 2048      | Pixels   |
| HFP                          | Horiz. Front Porch   | 48       | 48        | 48        | 48       | 48       | 48        | 48        | 48        | Pixels   |
| HSPW                         | Horiz. Sync PW       | 32       | 32        | 32        | 32       | 32       | 32        | 32        | 32        | Pixels   |
| HBP                          | Horiz. Back Porch    | 80       | 80        | 80        | 80       | 80       | 80        | 80        | 80        | Pixels   |
| HP                           | Horizontal Period    | 1184     | 1560      | 1760      | 1440     | 1600     | 1840      | 2080      | 2208      | Pixels   |
| HP                           | Horizontal Period    | 21.14    | 15.44     | 13.51     | 20.28    | 18.03    | 15.46     | 13.50     | 10.55     | µsec     |
| HF                           | Horizontal Freq.     | 47.30    | 64.74     | 74.01     | 49.31    | 55.47    | 64.67     | 74.04     | 94.77     | KHz      |
| <b>Vertical Parameters</b>   |                      |          |           |           |          |          |           |           |           |          |
| <b>Name</b>                  | <b>Definition</b>    | Typ      | Typ       | Typ       | Typ      | Typ      | Typ       | Typ       | Typ       | Units    |
| VA                           | Vertical Active      | 768      | 1050      | 1200      | 800      | 900      | 1050      | 1200      | 1536      | Lines    |
| VFP                          | Vertical Front Porch | 3        | 3         | 3         | 3        | 3        | 3         | 3         | 3         | Lines    |
| VSPW                         | Vert. Sync PW        | 4        | 4         | 4         | 6        | 6        | 6         | 6         | 4         | Lines    |
| VBP                          | Vertical Bk Porch    | 15       | 23        | 28        | 14       | 17       | 21        | 26        | 37        | Lines    |
| VP                           | Vertical Period      | 790      | 1080      | 1235      | 823      | 926      | 1080      | 1235      | 1580      | Lines    |
| VFP                          | Vertical Frequency   | 59.87    | 59.95     | 59.92     | 59.91    | 59.90    | 59.98     | 59.95     | 59.98     | Hz       |



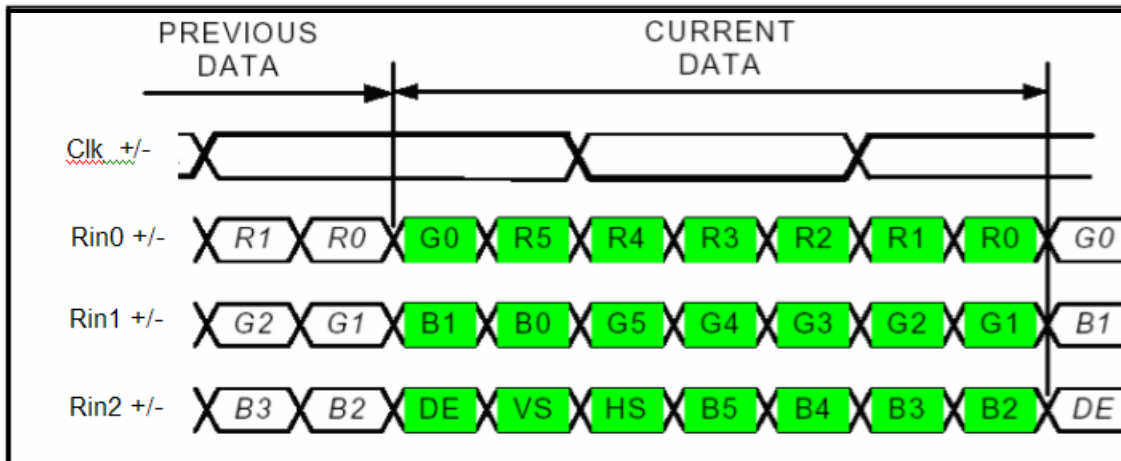
### 5.3 Signal Timing Waveforms Parameters

| Name | Definition                                                                                                                                                                                                                                                                                                                                                                                                            |
|------|-----------------------------------------------------------------------------------------------------------------------------------------------------------------------------------------------------------------------------------------------------------------------------------------------------------------------------------------------------------------------------------------------------------------------|
| Thp  | The total horizontal line time from the start of one horizontal sync pulse to the start of the subsequent pulse. This time equals the sum of Thbp, HA, and Thfp. It is expressed in pixels.                                                                                                                                                                                                                           |
| HA   | Horizontal Active. This is the time during which DE is at the active level. Active pixel data is transmitted during this time. It is expressed in pixels.                                                                                                                                                                                                                                                             |
| Thbp | Horizontal Back Porch time. This is the time from the end of the horizontal sync pulse to the start of the active pixel data stream (HA). It is expressed in pixels.                                                                                                                                                                                                                                                  |
| HSPW | Horizontal Sync Pulse Width. The time the horizontal sync pulse is active. It is expressed in pixels.                                                                                                                                                                                                                                                                                                                 |
| Thfp | Horizontal Front Porch time. This is the time between the end of the active pixel data stream (HA) to the start of the subsequent horizontal sync pulse. It is expressed in pixels.                                                                                                                                                                                                                                   |
| Tvp  | The total vertical frame time from the start of one vertical sync pulse to the start of the subsequent pulse. This time equals the sum of Tvbp, VA, and Tvfp. It is expressed in lines.                                                                                                                                                                                                                               |
| VA   | Vertical Active. This is the time during which active pixel data is being transmitted for the frame. This is the time from the beginning of the horizontal sync pulse for the first active display line of the frame to the beginning of the horizontal sync pulse for the first line after the last active display line of the frame. An active display line is one in which DE is active. It is expressed in lines. |
| Tvbp | Vertical Back Porch time. This is the time from the end of the vertical sync pulse to the beginning of the horizontal sync pulse for the first active display line of the frame. An active display line is one in which DE is active. It is expressed in lines.                                                                                                                                                       |
| VSPW | Vertical Sync Pulse Width. The time the vertical sync pulse is active. It is expressed in lines.                                                                                                                                                                                                                                                                                                                      |
| Tvfp | Vertical Front Porch time. This is the time between the end of the horizontal sync pulse for the first line after the last active display line of the frame to the start of the subsequent vertical sync pulse. An active display line is one in which DE is active. It is expressed in lines.                                                                                                                        |

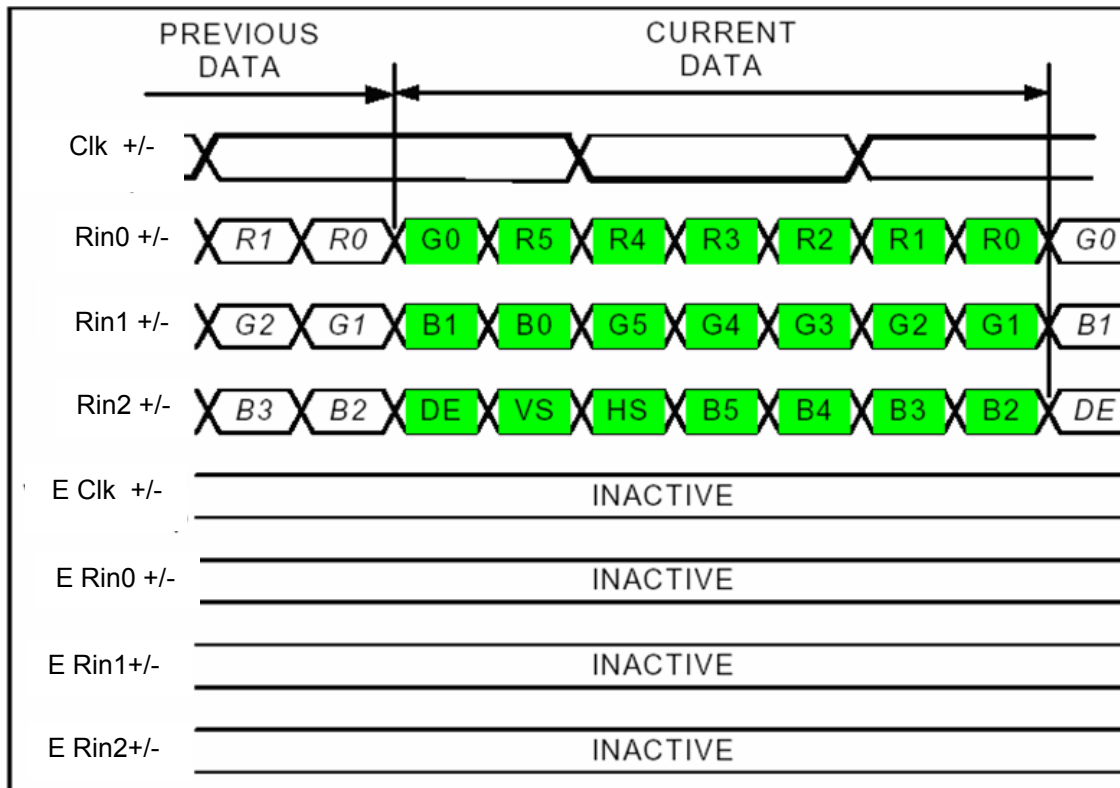
### 5.4 LVDS Data and Control Signal Interface

The panel LVDS signals interface should meet the requirements of TAI/EAI-644. The figures below show mapping diagrams of each LVDS channel. These diagrams define the current 6 bit, 18bpp, notebook panel LVDS addressing scheme.

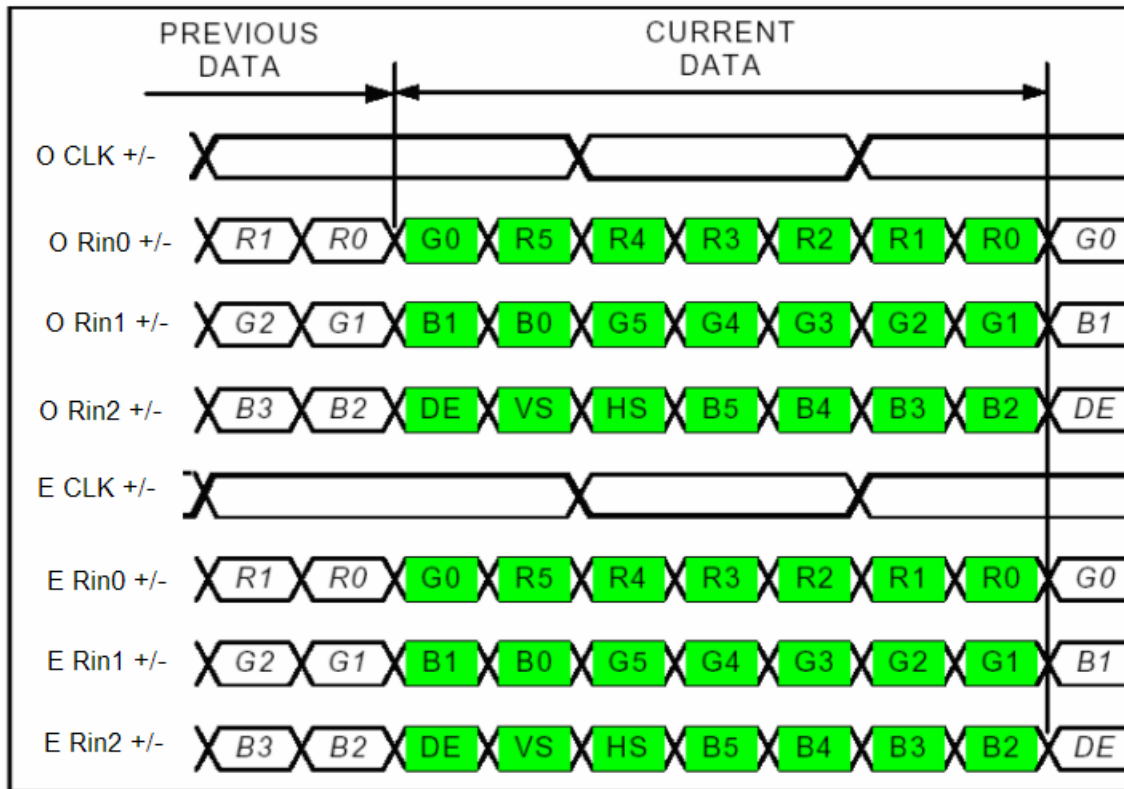
#### Single Channel LVDS Data Mapping (18bpp) 20-Pin Connector



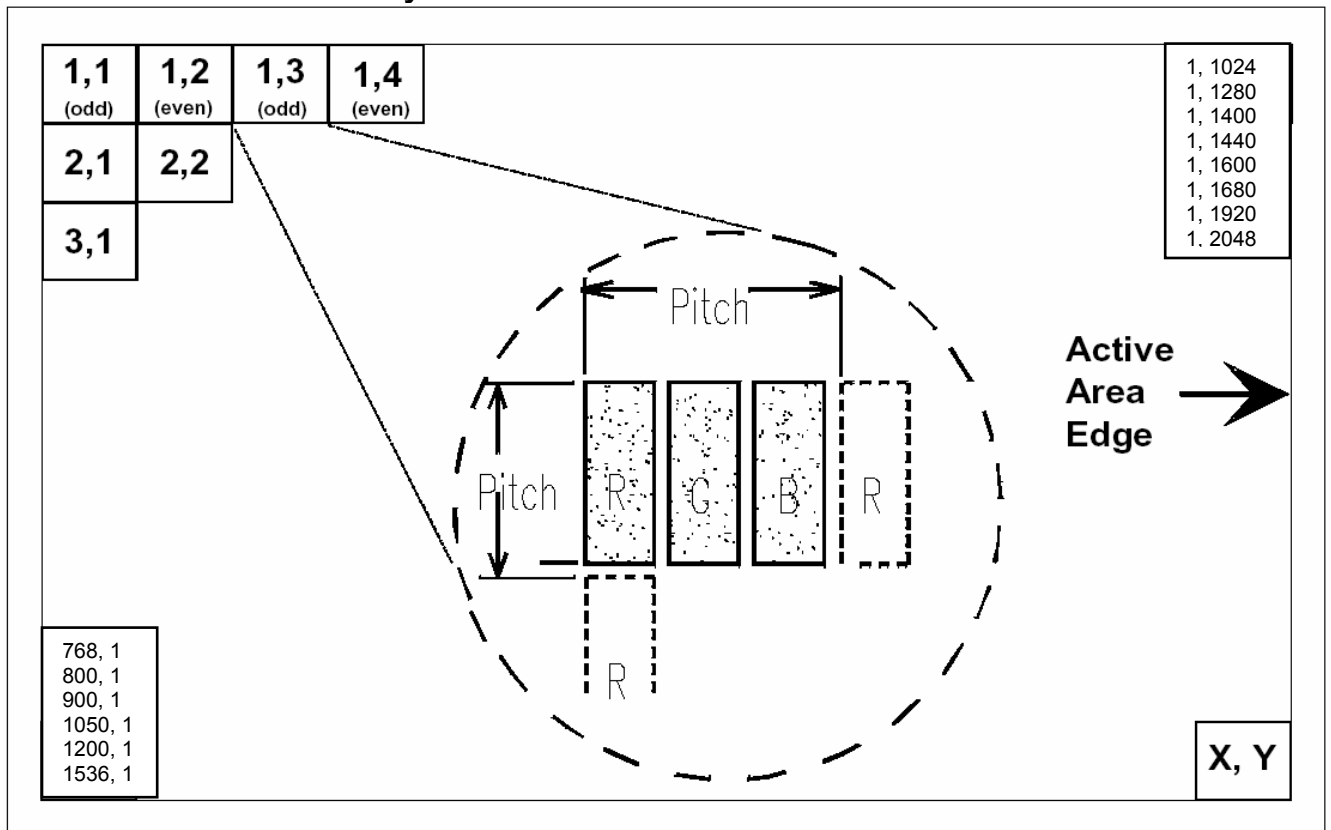
#### 5.5 Single Channel LVDS Data Mapping (18bpp) 30-Pin Connector



### 5.6 Dual Channel LVDS Data Mapping (18bpp) 30-Pin Connector



### 5.7 Active Area Pixel Layout



**5.8** This is the onboard PROM panel ID data format to support displays.

### Header

| Byte (dec) | Byte (hex) | Field Name and Comments | Value (hex) | Value (binary) |
|------------|------------|-------------------------|-------------|----------------|
| 0          | 00         | Header                  | 00          | 00000000       |
| 1          | 01         | Header                  | FF          | 11111111       |
| 2          | 02         | Header                  | FF          | 11111111       |
| 3          | 03         | Header                  | FF          | 11111111       |
| 4          | 04         | Header                  | FF          | 11111111       |
| 5          | 05         | Header                  | FF          | 11111111       |
| 6          | 06         | Header                  | FF          | 11111111       |
| 7          | 07         | Header                  | 00          | 00000000       |

### Vendor / Product ID Version

| Byte (dec) | Byte (hex) | Field Name and Comments                                         | Value (hex) | Value (binary) |
|------------|------------|-----------------------------------------------------------------|-------------|----------------|
| 8          | 08         | EISA manufacture code = 3 Character ID                          |             |                |
| 9          | 09         | EISA manufacture code (Compressed ASCII)                        |             |                |
| 10         | 0A         | Panel Supplier Reserved – Product Code                          |             |                |
| 11         | 0B         | Panel Supplier Reserved – Product Code                          |             |                |
| 12         | 0C         | LCD module Serial No – Preferred but Optional (“0” if not used) | 00          | 00000000       |
| 13         | 0D         | LCD module Serial No – Preferred but Optional (“0” if not used) | 00          | 00000000       |
| 14         | 0E         | LCD module Serial No – Preferred but Optional (“0” if not used) | 00          | 00000000       |
| 15         | 0F         | LCD module Serial No – Preferred but Optional (“0” if not used) | 00          | 00000000       |
| 16         | 10         | Week of manufacture                                             |             |                |
| 17         | 11         | Year of manufacture                                             |             |                |
| 18         | 12         | Panel ID structure version # = 1                                | 01          | 00000001       |
| 19         | 13         | Panel ID revision # = 3                                         | 03          | 00000011       |

### Display Parameters

| Byte (dec) | Byte (hex) | Field Name and Comments                                                  | Value (hex) | Value (binary) |
|------------|------------|--------------------------------------------------------------------------|-------------|----------------|
| 20         | 14         | Video I/P definition = Digital I/P (80h)                                 | 80          | 10000000       |
| 21         | 15         | Max H image size = (Rounded to cm)                                       |             |                |
| 22         | 16         | Max V image size = (Rounded to cm)                                       |             |                |
| 23         | 17         | Display gamma = (gamma × 100) - 100 = Example: ( 2.2 × 100 ) – 100 = 120 |             |                |
| 24         | 18         | Feature support ( no DPMS, Active off, RGB, timing BLK 1)                | 0A          | 00001010       |

### Panel Color Coordinates

| Byte | Byte | Value | Value |
|------|------|-------|-------|
|------|------|-------|-------|

| (dec) | (hex) | Field Name and Comments        | (hex) | (binary) |
|-------|-------|--------------------------------|-------|----------|
| 25    | 19    | Red/Green Low bit (RxRy/GxGy)  |       |          |
| 26    | 1A    | Blue/White Low bit (BxBY/WxWy) |       |          |
| 27    | 1B    | Red X Rx = 0.xxx               |       |          |
| 28    | 1C    | Red Y Ry = 0.xxx               |       |          |
| 29    | 1D    | Green X Gx = 0.xxx             |       |          |
| 30    | 1E    | Green Y Gy = 0.xxx             |       |          |
| 31    | 1F    | Blue X Bx = 0.xxx              |       |          |
| 32    | 20    | Blue Y By = 0.xxx              |       |          |
| 33    | 21    | White X Wx = 0.xxx             |       |          |
| 34    | 22    | White Y Wy = 0.xxx             |       |          |

### Established Timings

| Byte (dec) | Byte (hex) | Field Name and Comments                  | Value (hex) | Value (binary) |
|------------|------------|------------------------------------------|-------------|----------------|
| 35         | 23         | Established timings 1 (00h if not used)  | 00          | 00000000       |
| 36         | 24         | Established timings 2 (00h if not used)  | 00          | 00000000       |
| 37         | 25         | Manufacturer's timings (00h if not used) | 00          | 00000000       |

### Standard Timing ID

| Byte (dec) | Byte (hex) | Field Name and Comments               | Value (hex) | Value (binary) |
|------------|------------|---------------------------------------|-------------|----------------|
| 38         | 26         | Standard timing ID1 (01h if not used) | 01          | 00000001       |
| 39         | 27         | Standard timing ID1 (01h if not used) | 01          | 00000001       |
| 40         | 28         | Standard timing ID2 (01h if not used) | 01          | 00000001       |
| 41         | 29         | Standard timing ID2 (01h if not used) | 01          | 00000001       |
| 42         | 2A         | Standard timing ID3 (01h if not used) | 01          | 00000001       |
| 43         | 2B         | Standard timing ID3 (01h if not used) | 01          | 00000001       |
| 44         | 2C         | Standard timing ID4 (01h if not used) | 01          | 00000001       |
| 45         | 2D         | Standard timing ID4 (01h if not used) | 01          | 00000001       |
| 46         | 2E         | Standard timing ID5 (01h if not used) | 01          | 00000001       |
| 47         | 2F         | Standard timing ID5 (01h if not used) | 01          | 00000001       |
| 48         | 30         | Standard timing ID6 (01h if not used) | 01          | 00000001       |
| 49         | 31         | Standard timing ID6 (01h if not used) | 01          | 00000001       |
| 50         | 32         | Standard timing ID7 (01h if not used) | 01          | 00000001       |
| 51         | 33         | Standard timing ID7 (01h if not used) | 01          | 00000001       |
| 52         | 34         | Standard timing ID8 (01h if not used) | 01          | 00000001       |
| 53         | 35         | Standard timing ID8 (01h if not used) | 01          | 00000001       |

**Timing Descriptor #1**

| Byte (dec) | Byte (hex) | Field Name and Comments                                                                                                                                     | Value (hex) | Value (binary)       |
|------------|------------|-------------------------------------------------------------------------------------------------------------------------------------------------------------|-------------|----------------------|
| 54         | 36         | Pixel Clock/10,000 (LSB)                                                                                                                                    |             |                      |
| 55         | 37         | Pixel Clock/10,000 (MSB)                                                                                                                                    |             |                      |
| 56         | 38         | Horizontal Active = xxxx pixels (lower 8 bits) <b>Note 2</b>                                                                                                |             |                      |
| 57         | 39         | Horizontal Blanking (Thbp) = xxxx pixels (lower 8 bits)                                                                                                     |             |                      |
| 58         | 3A         | Horizontal Active/Horizontal blanking (Thbp) (upper4:4 bits)                                                                                                |             |                      |
| 59         | 3B         | Vertical Active = xxxx lines                                                                                                                                |             |                      |
| 60         | 3C         | Vertical Blanking (Tvbp) = xxxx lines (DE Blanking typ. For DE only panels)                                                                                 |             |                      |
| 61         | 3D         | Vertical Active : Vertical Blanking (Tvbp) (upper4:4 bits)                                                                                                  |             |                      |
| 62         | 3E         | Horizontal Sync, Offset (Thfp) = xxxx pixels                                                                                                                |             |                      |
| 63         | 3F         | Horizontal Sync, Pulse Width = xxxx pixels                                                                                                                  |             |                      |
| 64         | 40         | Vertical Sync, Offset (Tvfp) = xx lines Sync Width = xx lines                                                                                               |             |                      |
| 65         | 41         | Horizontal Vertical Sync Offset/Width upper 2 bits                                                                                                          |             |                      |
| 66         | 42         | Horizontal Image Size =xxx mm                                                                                                                               |             |                      |
| 67         | 43         | Vertical image Size = xxx mm                                                                                                                                |             |                      |
| 68         | 44         | Horizontal Image Size / Vertical image size                                                                                                                 |             |                      |
| 69         | 45         | Horizontal Border = 0 (Zero for Notebook LCD)                                                                                                               | 00          | 00000000             |
| 70         | 46         | Vertical Border = 0 (Zero for Notebook LCD)                                                                                                                 | 00          | 00000000             |
| 71         | 47         | Non-interlaced, Normal, no stereo, Separate sync, H/V pol Negatives, <b>DE only note: LSB is set to "1" if panel is DE-timing only. H/V can be ignored.</b> | 18<br>(19)  | 00011000<br>00011001 |

**Timing Descriptor #2 Alternative Panel Timing**

| Byte (dec) | Byte (hex) | Field Name and Comments                                                     | Value (hex) | Value (binary) |
|------------|------------|-----------------------------------------------------------------------------|-------------|----------------|
| 72         | 48         | Pixel Clock/10,000 (LSB)                                                    |             |                |
| 73         | 49         | Pixel Clock/10,000 (MSB)                                                    |             |                |
| 74         | 4A         | Horizontal Active = xxxx pixels (lower 8 bits) <b>Note 2</b>                |             |                |
| 75         | 4B         | Horizontal Blanking (Thbp) = xxxx pixels (lower 8 bits)                     |             |                |
| 76         | 4C         | Horizontal Active/Horizontal blanking (Thbp) (upper4:4 bits)                |             |                |
| 77         | 4D         | Vertical Active = xxxx lines                                                |             |                |
| 78         | 4E         | Vertical Blanking (Tvbp) = xxxx lines (DE Blanking typ. For DE only panels) |             |                |
| 79         | 4F         | Vertical Active : Vertical Blanking (Tvbp) (upper4:4 bits)                  |             |                |
| 80         | 50         | Horizontal Sync, Offset (Thfp) = xxxx pixels                                |             |                |
| 81         | 51         | Horizontal Sync, Pulse Width = xxxx pixels                                  |             |                |
| 82         | 52         | Vertical Sync, Offset (Tvfp) = xx lines Sync Width = xx lines               |             |                |
| 83         | 53         | Horizontal Vertical Sync Offset/Width upper 2 bits                          |             |                |
| 84         | 54         | Horizontal Image Size =xxx mm                                               |             |                |
| 85         | 55         | Vertical image Size = xxx mm                                                |             |                |
| 86         | 56         | Horizontal Image Size / Vertical image size                                 |             |                |
| 87         | 57         | Horizontal Border = 0 (Zero for Notebook LCD)                               | 00          | 00000000       |
| 88         | 58         | Vertical Border = 0 (Zero for Notebook LCD)                                 | 00          | 00000000       |
| 89         | 59         | Module "A" Revision = Example: 00, 01, 02, 03, etc.                         |             |                |

**Timing Descriptor #3**

| Byte (dec) | Byte (hex) | Field Name and Comments                                                                      | Value (hex) | Value (binary) |
|------------|------------|----------------------------------------------------------------------------------------------|-------------|----------------|
| 90         | 5A         | Flag                                                                                         | 00          | 00000000       |
| 91         | 5B         | Flag                                                                                         | 00          | 00000000       |
| 92         | 5C         | Flag                                                                                         | 00          | 00000000       |
| 93         | 5D         | Dummy Descriptor                                                                             | FE          | 11111110       |
| 94         | 5E         | Flag                                                                                         | 00          | 00000000       |
| 95         | 5F         | PC Maker P/N 1 <sup>st</sup> Character                                                       |             |                |
| 96         | 60         | PC maker P/N 2 <sup>nd</sup> Character                                                       |             |                |
| 97         | 61         | PC maker P/N 3 <sup>rd</sup> Character                                                       |             |                |
| 98         | 62         | PC maker P/N 4 <sup>th</sup> Character                                                       |             |                |
| 99         | 63         | PC maker P/N 5 <sup>th</sup> Character                                                       |             |                |
| 100        | 64         | LCD Supplier Revision #                                                                      |             |                |
| 101        | 65         | Manufacturer P/N                                                                             |             |                |
| 102        | 66         | Manufacturer P/N                                                                             |             |                |
| 103        | 67         | Manufacturer P/N                                                                             |             |                |
| 104        | 68         | Manufacturer P/N                                                                             |             |                |
| 105        | 69         | Manufacturer P/N                                                                             |             |                |
| 106        | 6A         | Manufacturer P/N                                                                             |             |                |
| 107        | 6B         | Manufacturer P/N (If <13 char, then terminate with ASCII code 0Ah, set remaining char = 20h) |             |                |

**Timing Descriptor #4**

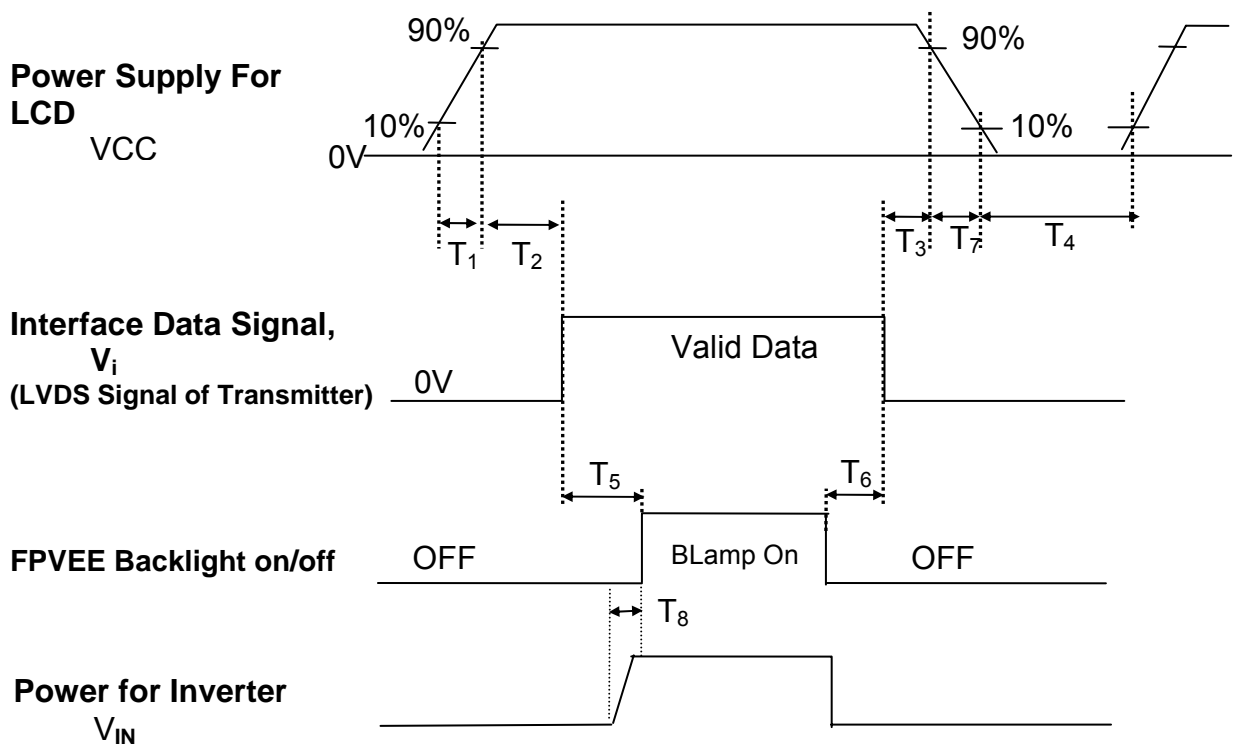
| Byte (dec) | Byte (hex) | Field Name and Comments                                                     | Value (hex) | Value (binary) |
|------------|------------|-----------------------------------------------------------------------------|-------------|----------------|
| 108        | 6C         | Flag                                                                        | 00          | 00000000       |
| 109        | 6D         | Flag                                                                        | 00          | 00000000       |
| 110        | 6E         | Flag                                                                        | 00          | 00000000       |
| 111        | 6F         | Data Type Tag:                                                              | FE          | 11111110       |
| 112        | 70         | Flag                                                                        | 00          | 00000000       |
| 113        | 71         | SMBUS Value = XX nits                                                       |             | Value          |
| 114        | 72         | SMBUS Value = XX nits                                                       |             | Value          |
| 115        | 73         | SMBUS Value = XX nits                                                       |             | Value          |
| 116        | 74         | SMBUS Value = XX nits                                                       |             | Value          |
| 117        | 75         | SMBUS Value = XX nits                                                       |             | Value          |
| 118        | 76         | SMBUS Value = XXX nits                                                      |             | Value          |
| 119        | 77         | SMBUS Value = XXX nits                                                      |             | Value          |
| 120        | 78         | SMBUS Value = max nits (Typically = 00h, XXX nits)                          |             | Value          |
| 121        | 79         | Number of LVDS channels = 1 or 2                                            |             |                |
| 122        | 7A         | Panel Self Test (00 – Not Present, 01 – Present)                            |             | 00000000       |
| 123        | 7B         | (If <13 char, then terminate with ASCII code 0Ah, set remaining char = 20h) | 0A          | 00001010       |
| 124        | 7C         | (If <13 char, then terminate with ASCII code 0Ah, set remaining char = 20h) | 20          | 00100000       |
| 125        | 7D         | (If <13 char, then terminate with ASCII code 0Ah, set remaining char = 20h) | 20          | 00100000       |

| Byte (dec) | Byte (hex) | Field Name and Comments                                                         | Value (hex) | Value (binary) |
|------------|------------|---------------------------------------------------------------------------------|-------------|----------------|
| 126        | 7E         | Extension flag (# of optional 128 panel ID extension blocks to follow, Typ = 0) | 00          | 00000000       |
| 127        | 7F         | Checksum (The 1-byte sum of all 128 bytes in this panel ID block shall = 0)     |             |                |

**PANEL ID Notes:**

1. See page 16 for "Timing Waveform Parameters" definitions.
2. Horizontal Active (HA), byte 38h, is true active pixels.  $HA_{\text{pixel clocks}}$  value, bytes 55 & 56, is HA for XGA and HA/2 for WSXGA+ and above resolutions.
3. Timing Descriptor #2 may used for timings other than 60Hz

**5.9 Panel Power Sequence**



**Power Sequence Timing**

| Parameter | Value |      |      | Units |
|-----------|-------|------|------|-------|
|           | Min.  | Typ. | Max. |       |
| T1        | 0.5   | -    | 10   | (ms)  |
| T2        | 0     | -    | 50   | (ms)  |
| T3        | 0     | -    | 50   | (ms)  |
| T4        | 200   | -    | -    | (ms)  |
| T5        | 200   | -    | -    | (ms)  |
| T6        | 200   | -    | -    | (ms)  |
| T7        | 0     | -    | 10   | (ms)  |
| T8        | 10    | -    | -    | (ms)  |

## 5.10 Panel Backlight Interface

The panel CCFL cable should be terminated with a JST BHSR-02VS-1 connector, or equivalent. The lamp wires exiting the panel should be sufficiently protected so that normal movement of these wires during cover assembly will not cause them to be damaged.

### Backlight Electrical Interface

| Pin No. | Signal            | Level | Function              |
|---------|-------------------|-------|-----------------------|
| 1       | V <sub>CCFL</sub> | AC    | Power supply for CCFL |
| 2       | Gnd Return        | ~GND  | Power return for CCFL |

## 6.0 Optical/FOS Measurement:

This spec generally employs the VESA Flat Panel Display Measurements Standard, Version 2 for its panel optical measurement procedures. Some measurement procedures, however, have been modified slightly to make them more meaningful to the end user. The procedure for measuring each of the following optical/FOS (Front Of Screen) properties are defined in this section.

- Luminance
- Contrast Ratio
- Uniformity
- Color Gamut
- Color Gamma
- Viewing Angle
- Response Time
- Residual Image

### 6.1 General Measurement Requirements:

#### 6.1.1 Measurement equipment.

Display FOS properties are measured with a photometer equivalent to a, Photo Research PR-650/880 or a TOPCON BM5A. Other measurement equipment with a larger luminance measurement tolerance, > +/-2%, or color tolerance > +/-0.0015 (1931 C.I.E.), will show approximate properties but should not be used to accurately compare measurements of one panel with another.

#### 6.1.2 Measurement environment.

Measurements are made in normal office condition environment. Measurements made outside these conditions may not be valid for comparison of one panel to another. The standard office conditions are.

|                       |                              |
|-----------------------|------------------------------|
| Temperature:          | 23°C±4°C                     |
| Humidity:             | 25% - 85% RH, non-condensing |
| Atmospheric pressure: | 25 inHg to 31inHg            |

#### 6.1.3 CCFL (Cold Cathode Fluorescent Lamp) warm-up time.

The CCFL requires time to achieve its set brightness after turn on. To insure accurate optical measurements the CCFL should be turned on and be allowed to warm-up for a minimum of 20 minutes.

#### 6.1.4 Darkroom measurement conditions.

To eliminate variation in screen reflection, all measurements should be performed in a darkroom, ≤1 lux. The darkroom definition assumes that all light comes from the display and that there are no reflective surfaces (white clothing, computer displays, light colored objects, etc.) that could corrupt the measurements.

### 6.1.5 Display luminance control during measurement.

During a set of optical measurements the screen luminance should not be changed. Changing the luminance to optimize measurement is not allowed. Changes in luminance require that the entire FOS measurement suite be repeated.

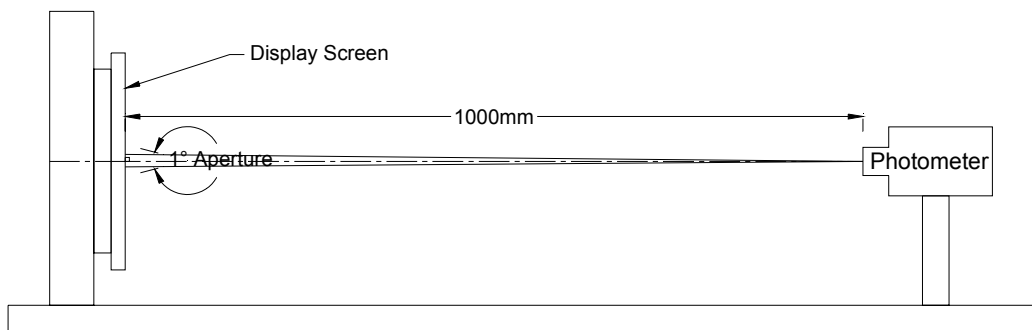
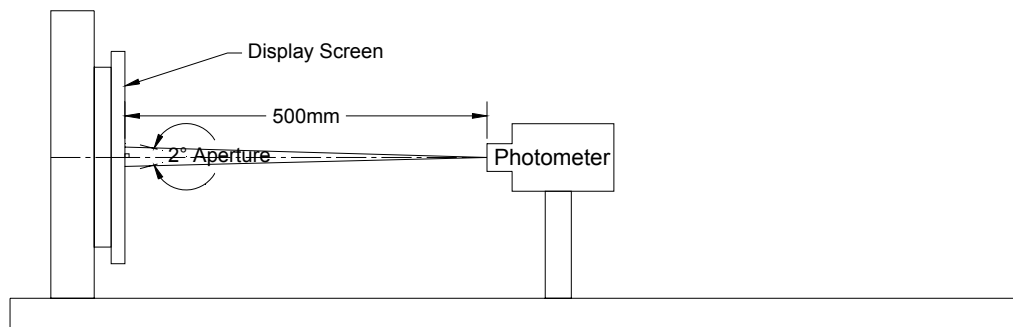
### 6.1.6 Measurement viewing direction.

Luminance, contrast ratio, uniformity, color gamma, color gamut, and response time measurements should be performed with a viewing direction which is perpendicular,  $\pm 0.3^\circ$ , to the display screen.

Viewing angle measurements should be performed at angles that reference the screen center.

### 6.1.7 Measurement equipment setup:

The photometer is placed at a fixed distance from the display screen to be measured. The fixed distance is determined by the photometer measurement aperture used. A  $2^\circ$  aperture is used when the photometer is positioned 500mm from the screen to be measured and a  $1^\circ$  aperture when the distance is 1000mm. "Normal" measurements are performed perpendicular to the display screen surface. See the drawings below.



## Example of a Typical Optical FOS Measurement System



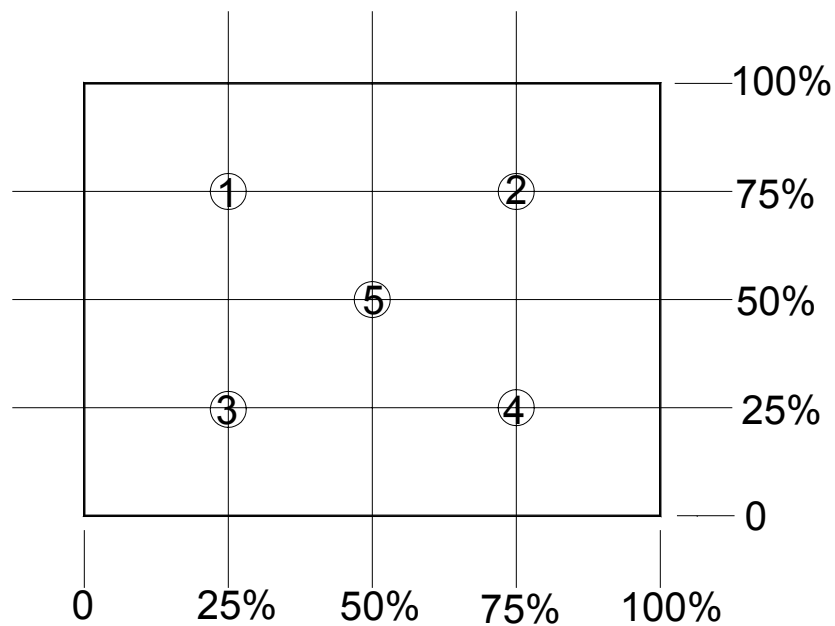
## 6.2 Luminance Measurement:

Luminance is a  $\text{cd}/\text{m}^2$  (nits) measurement of the display's white color (white screen).

To eliminate variations in environmental lighting conditions that can affect display luminance, all measurements are performed in a dark ambient.

Display luminance is defined as the average value of five (5) white screen measurements. The location of these 5 measurement points is shown in the drawing below.

$$\text{Display Luminance} = \frac{1 + 2 + 3 + 4 + 5}{5}$$



Screen Luminance Measurement Points (5)

### 6.3 Contrast Ratio Measurement:

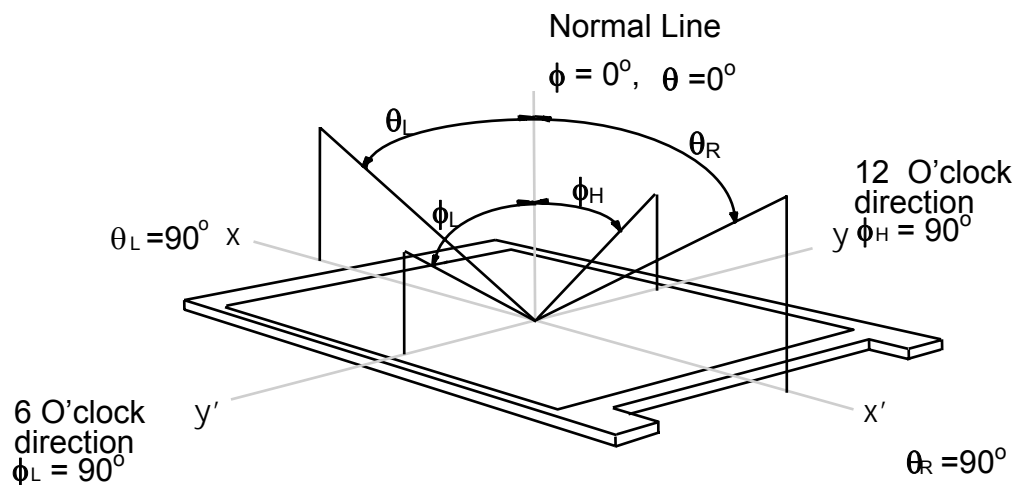
Contrast Ratio (CR) is the comparison of the display screen's maximum white luminance (white screen) to its minimum luminance (black screen).

CR is expressed as a ratio of white luminance value to black. Example: 150:1 (white luminance is 150 times greater than black luminance).

Contrast Ratio is measured perpendicular to the display at the screen center ("Normal Line",  $0^\circ, 0^\circ$ ).

A full white screen and a full black screen are used when measuring luminance for contrast ratio. Although other screen patterns (various black and white checkerboard patterns) could be used these can add variation to the CR value.

$$\text{CR} = \frac{\text{Luminance of all white screen}}{\text{Luminance of all black screen}}$$



## 6.4 White Uniformity Measurement:

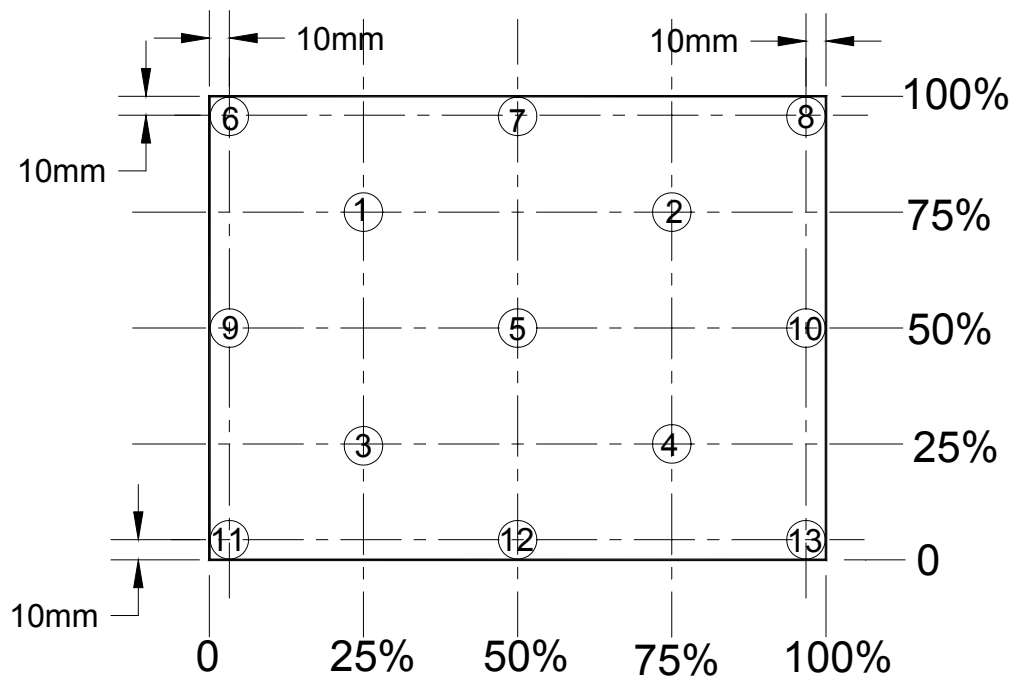
White luminance uniformity is a  $\text{cd/m}^2$  (nits) measurement of the display's white color across the display screen. This measurement describes the uniformity of the LCD lighting system.

To eliminate variations in environmental lighting conditions that can affect display luminance, all measurements are performed in a dark ambient.

All measurements are performed with the photometer perpendicular to the display screen surface.

Display luminance uniformity is defined as the percent (%) of luminance value variation over thirteen (13) white screen measurements. The location of these 13 measurement points is shown in the drawing below.

$$\text{Luminance \% Uniformity} = \frac{\text{Max Luminance (13 Pts., 1-13)} - \text{Min Luminance (13 Pts. 1-13)}}{\text{Max Luminance (13 Pts. 1-13)}}$$



Screen Uniformity Measurement Points (13)

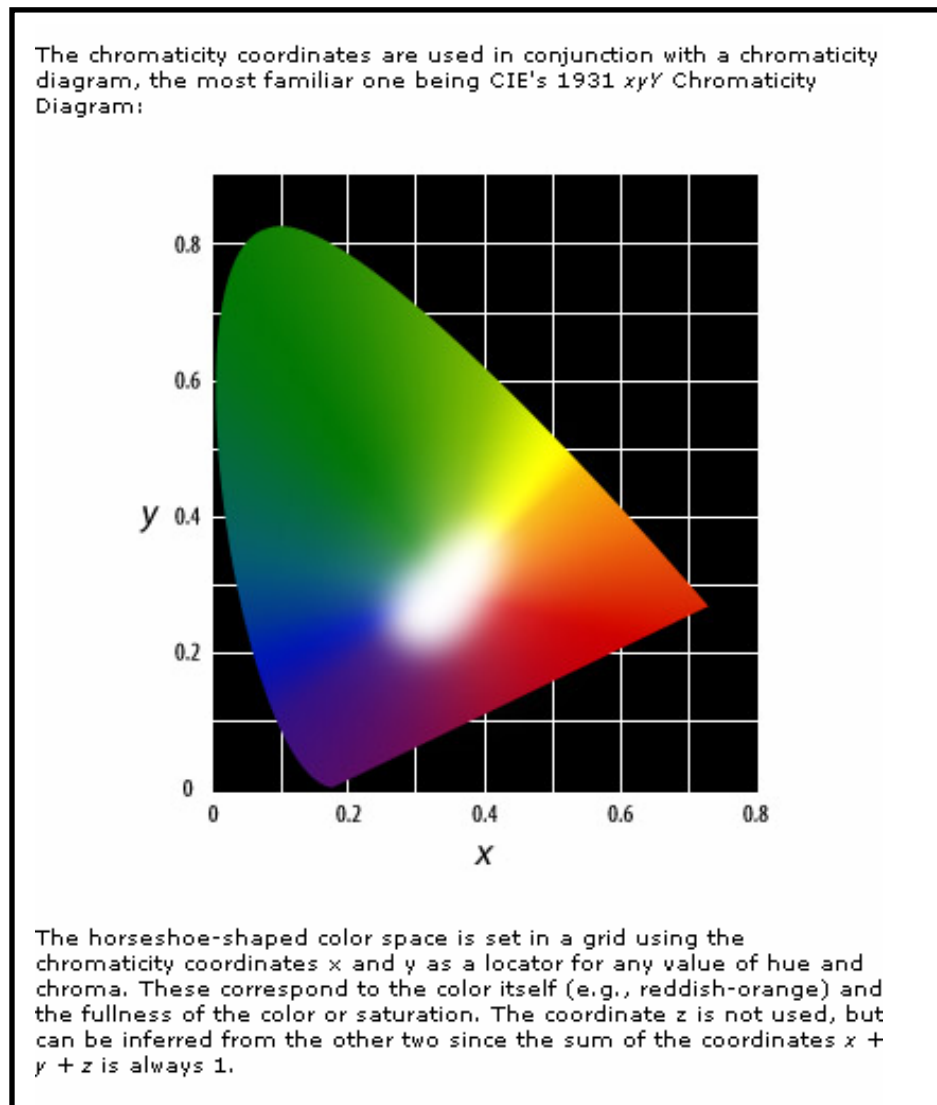
## 6.5 Color Gamut Measurement:

Color Gamut is the measurement of the display color chromaticity coordinates, referenced to the 1931/1976 CIE color standard, for its primary colors, red, green, and blue. These charts are shown below for reference only.

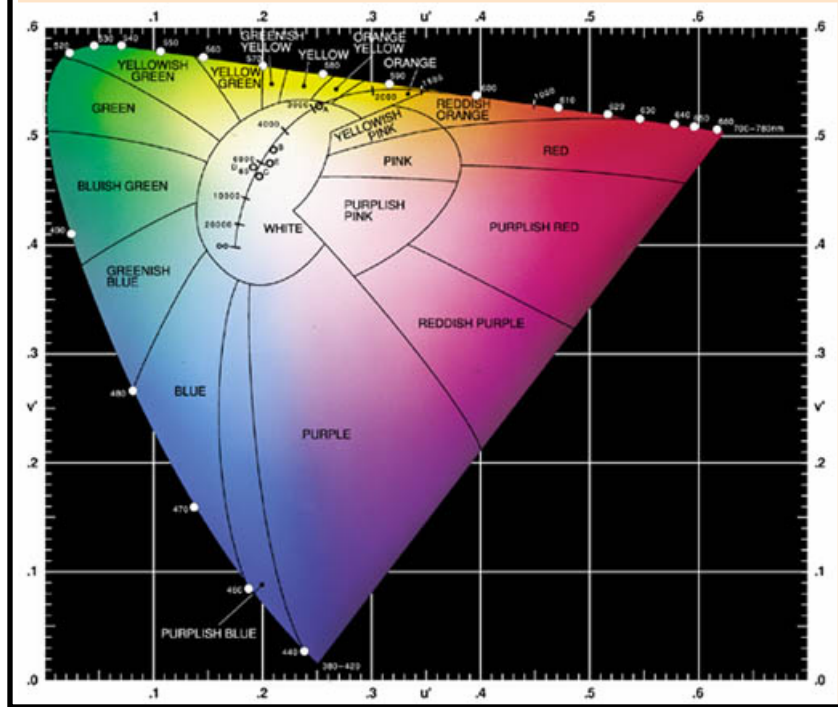
The measurements are taken at the screen center (Normal Line) perpendicular to the display. A 100% red screen ( $r=255$ ,  $g=0$ , &  $b=0$ ) is used to measure the color red. A 100% green screen ( $r=0$ ,  $g=255$ , &  $b=0$ ) is used to measure the color green. A 100% blue screen ( $r=0$ ,  $g=0$ , &  $b=255$ ) is used to measure the color blue.

Note: Graphic adapters typically define 8 bit color settings with 256 shades of gray for each color as shown above. Notebook panels are 6 bit and actually produce only 64 shades of gray for each color.

The area of the triangle formed on the CIE color chart, by the R G B coordinates, can be compared with the area of the NTSC color coordinate triangle. This comparison is typically made as the measured display's percentage of the NTSC standard. This percentage is commonly referred to as the color gamut for the display.



# The 1976 CIE Chromaticity Diagram



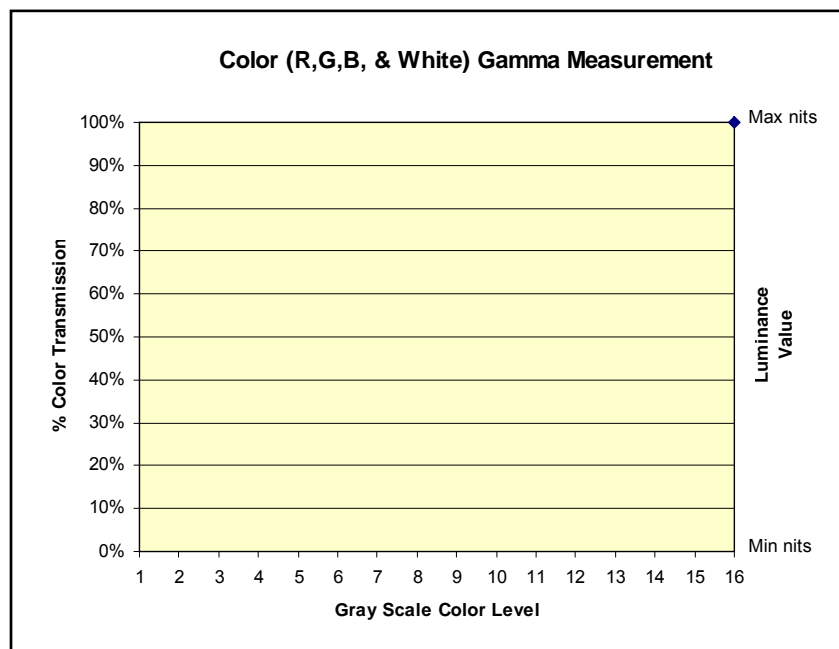
## 6.6 Color Gamma Measurement:

Color gamma is the measurement of Red, Green, Blue and White over their gray scale range (luminance transmission 0 – 100%). A minimum of 16 measurements for each color should be made. Note: Notebook display panels have a range of 64 shades of gray for each color, R G B & White.

The color gamma measurements are taken at the screen center (Normal Line) perpendicular to the display. The measurement units are nits ( $\text{cd}/\text{m}^2$ ) and are converted to percent (%) transmission and recorded in chart form. A sample chart format is shown below. A windows standard 2.2 gamma should be used.

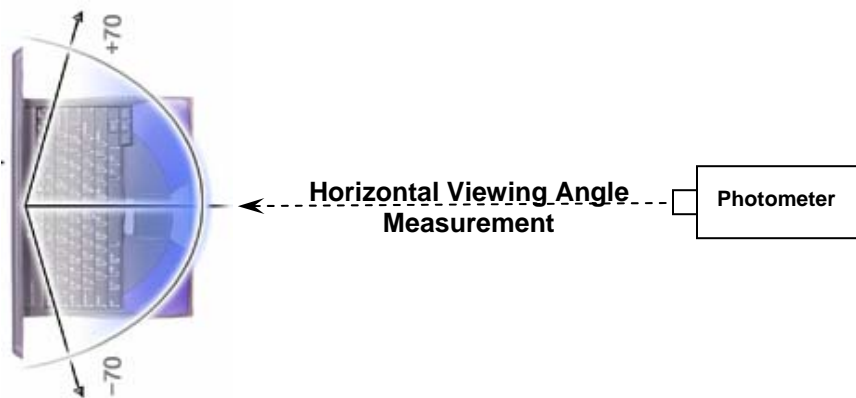
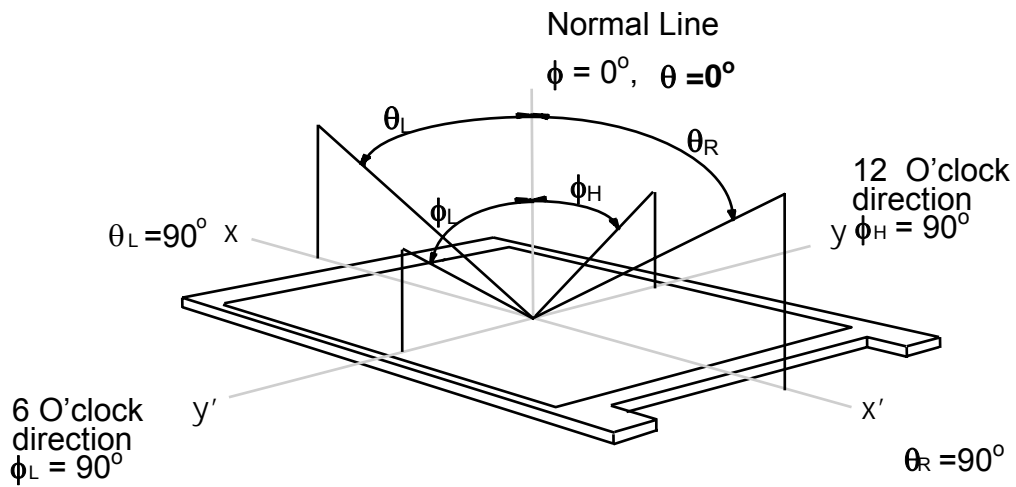
### Gray Scale Measurement Levels

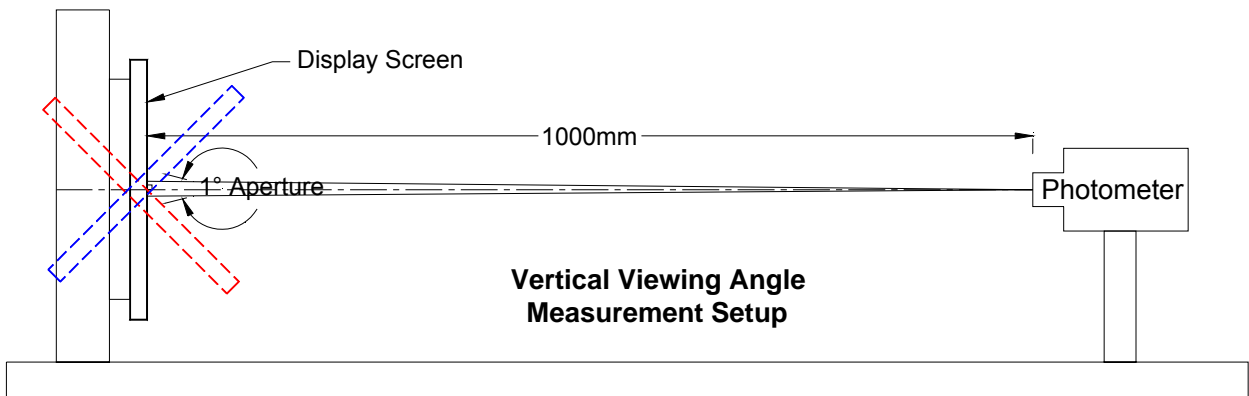
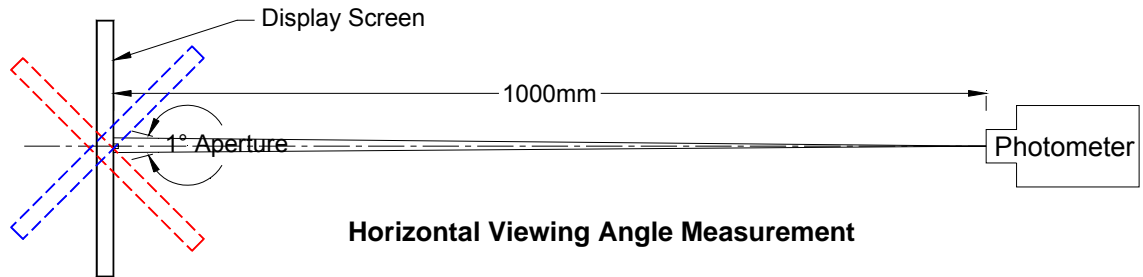
| Gray Shade | Transmission or Gray Level | Measured Luminance | Gray Shade | Transmission or Gray Scale | Measured Luminance |
|------------|----------------------------|--------------------|------------|----------------------------|--------------------|
| 1          | 0%, L0                     |                    | 9          | 53%, L34                   |                    |
| 2          | 7%, L5                     |                    | 10         | 60%, L38                   |                    |
| 3          | 13%, L9                    |                    | 11         | 67%, L42                   |                    |
| 4          | 20%, L13                   |                    | 12         | 73%, L47                   |                    |
| 5          | 27%, L17                   |                    | 13         | 80%, L50                   |                    |
| 6          | 33%, L21                   |                    | 14         | 87%, L55                   |                    |
| 7          | 40%, L26                   |                    | 15         | 93%, L59                   |                    |
| 8          | 47%, L30                   |                    | 16         | 100%, L63                  |                    |



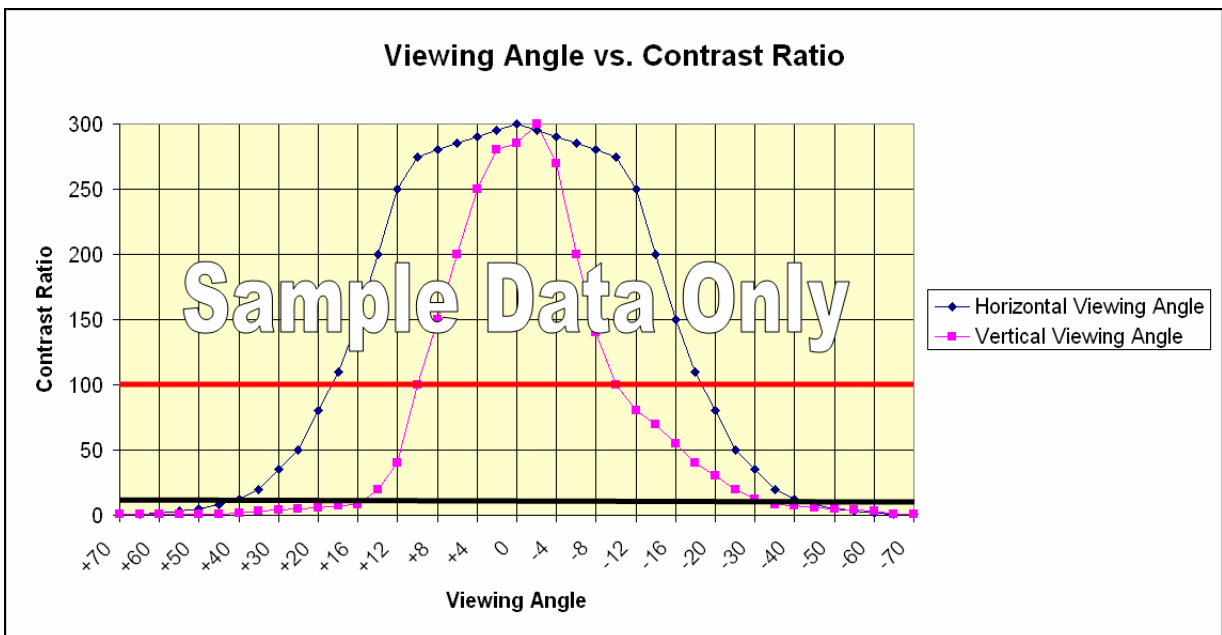
### 6.7 Viewing Angle Measurement:

Viewing angle is the measurement of contrast ratio, at the screen center, over a 180° horizontal and 180° vertical range (off-normal viewing angles). The 180° viewing angle range is broken down as follows; 90° ( $\theta$ ) horizontal left and right and 90° ( $\Phi$ ) vertical, high (up) and low (down). The measurement direction is typically perpendicular to the display surface with the screen rotated about its center to develop the desired measurement viewing angle.





Luminance measurements are made at a minimum of 20 viewing angles in both horizontal and vertical axis. The measurements are made on both white and black screens. Contrast Ratios are calculated and plotted per the graph below.

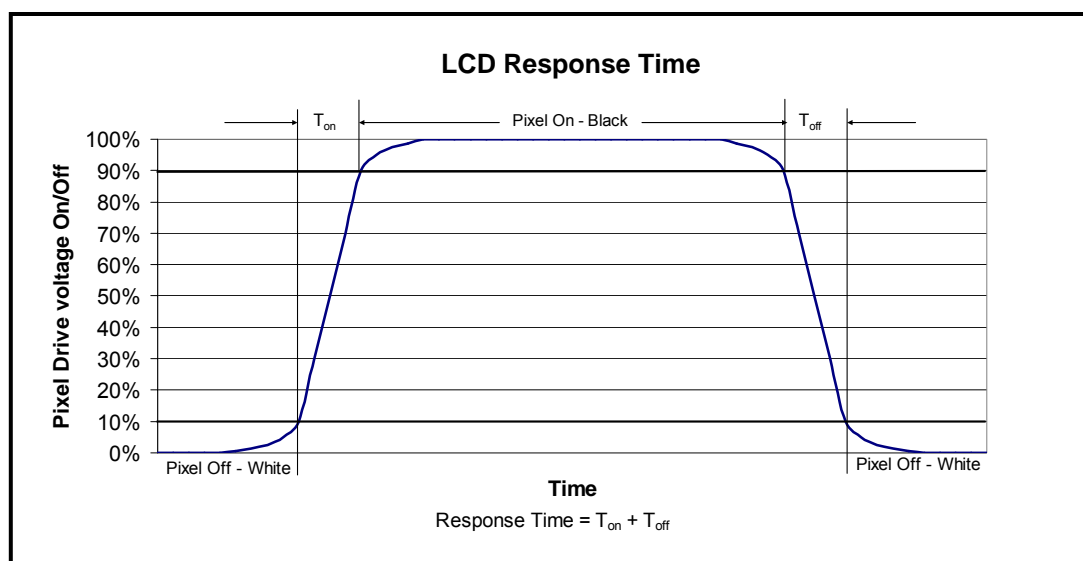


Viewing angles above  $\pm 20^\circ$  are measured in  $10^\circ$  increments. Viewing angles below  $\pm 20^\circ$  are measured at  $4^\circ$  increments.

Viewing angles are typically specified as a maximum  $\pm$  angle with a Contrast Ratio greater ( $\geq$ ) than 10:1. Consumers, however, expect useable viewing angles to have a Contrast Ratio's greater ( $\geq$ ) than 100:1. Plotting the horizontal and vertical viewing angles in the chart format above provides an easy to understand process for evaluating and comparing display panels.

## 6.8 Response Time Measurement:

Response time is the measurement of the total time takes to turn a pixel "On" and "Off". A pixel is determined to be "On" when its drive voltage reaches 90% of maximum and "Off" when the voltage level drops to 10%. "On" and "Off" are also referred to as "Rise" and "Fall" times. See the chart below.



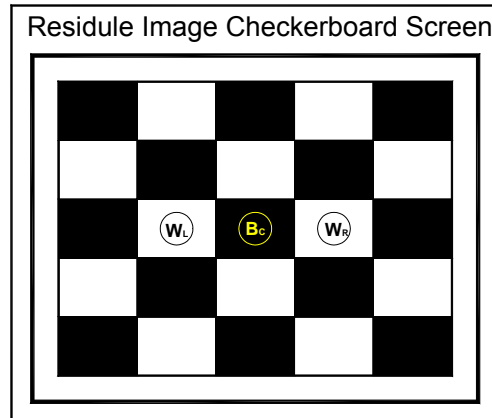
Black and White screen patterns are switched and the resulting electro-optical step response function is measured. Measurements are made at the screen center perpendicular to the display surface (Normal Line). The photometer must have a response time and sample rate  $\leq 0.1$  the total response time,  $T_{On} + T_{Off}$ . The photometer is connected to a computer or storage oscilloscope which collects the sample data and processes it to display the "Total LCD Response Time."

In LCD display screens with slower response times, a fast moving screen image can appear blurred if it moves faster than the screen can update the pixels. A black box moving across the screen at different speeds can be an indicator of the display screen's response time. The leading and trailing edge of the box will appear blurred if the speed of its movement is faster than display can update its pixels. While this is not an accurate measurement of screen response time it can be used to generally compare the speed of one panel with another. Updates to pixel drive technology can improve the apparent response time without changing the display's physical internal design/technology.

## 6.9 Residual Image Measurement:

A residual or retained screen image may occur if a fixed screen pattern is displayed for a long period of time. This residual image should dissipate after a short time.

A 5 x 5 black and white checkerboard pattern should be used for the measurement (FPDMSU.ppt, slide #90 from the VESA file "Flat Panel Display Monitor Setup Patterns", FPDMSU.ppt.). Initial luminance measurements are made on the checkerboard screen center squares per the drawing below.



The checkerboard pattern is allowed to remain on the screen (burn in) for 16 hours.

After the burn in period (16 hours) the screen pattern is changed to all white. Notebook displays are "normally white" screens so this turns off all the TFT pixels.

The white screen is allowed to remain on for 2 minutes.

After the 2 minutes has elapsed, measure the white screen luminance in the same locations as on the original checkerboard pattern.

Compare the original checkerboard contrast ratio (CR) with the 2 minute post burn in measurement.

$$\text{Initial checkerboard CR} = \frac{(W_L + W_R)/2}{B_c}$$

$$\text{White screen post burn in CR} = \frac{(W_L + W_R)/2}{B_c}$$

The second CR measurement, white screen post burn in, should be a specified percentage (%) of the initial checkerboard CR. This percentage value is determined by individual panel specifications but will typically be  $\leq 1\%$ .

A 2 minute post burn in (white screen) CR measurement, as described above, can also be used to develop a test limit for a residual image specification.

## 7.0 Power Measurement:

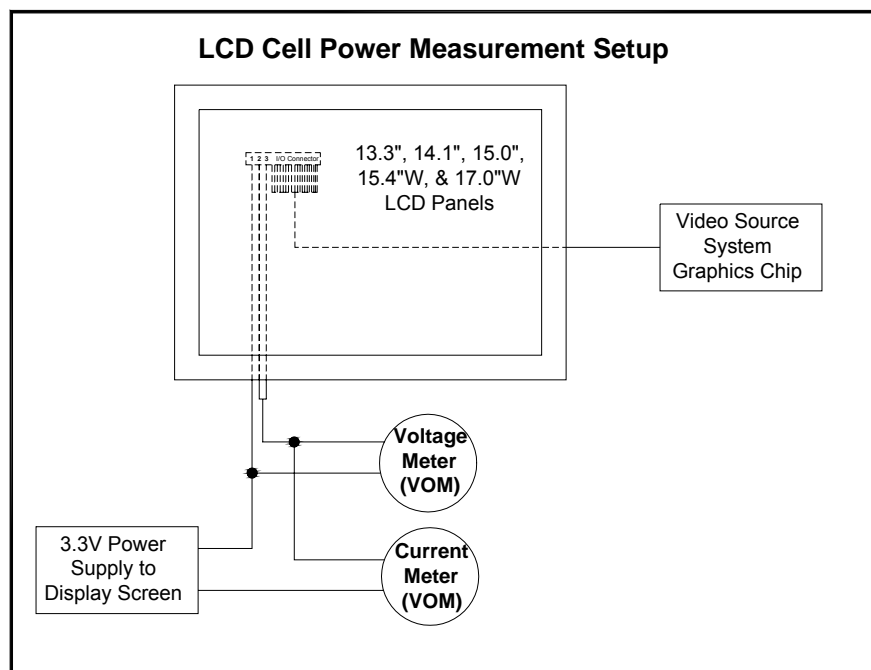
Display panel power is the summation of the LCD cell + the backlamp. The LCD cell is powered by a  $3.3V \pm 10\%$  supply from the notebook system. The backlamp CCFL (Cold Cathode Fluorescent Lamp) is driven by a high voltage inverter which is powered by a 5V supply from the notebook system. Measurements for the LCD cell and the backlamp/inverter are measured separately and the results are totaled to define the display module's power.

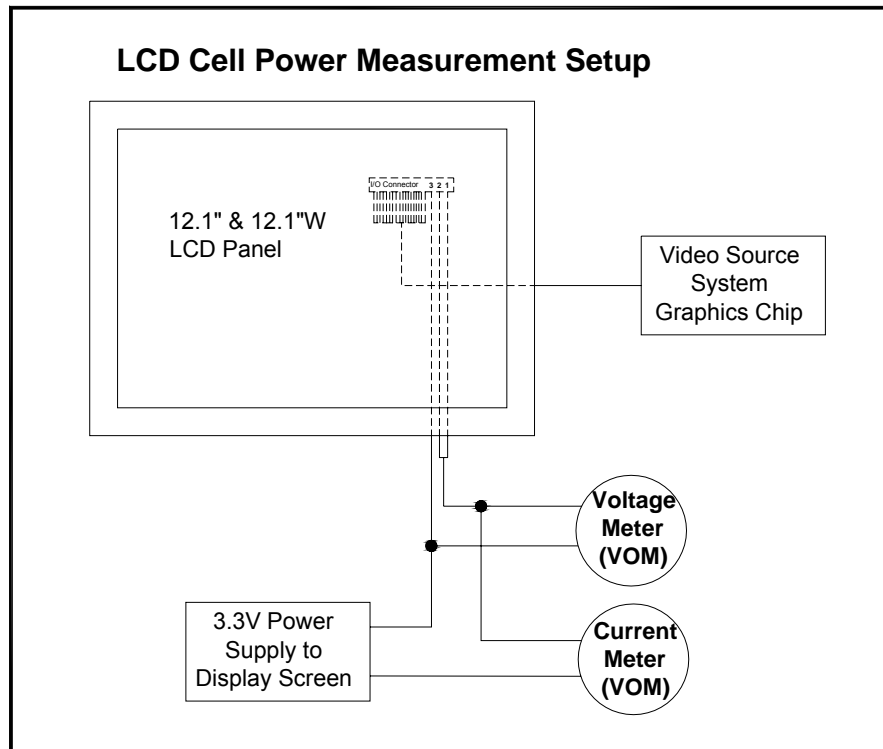
The procedures defined here basically mirror those established by the EBL WG (Extended Battery Life Working Group), [www.eblwg.org](http://www.eblwg.org). Power measurement assumes that the panel is powered from a power source separate from the LCD panel. Display power(P) for both the LCD cell and backlight is defined as the product of the input voltage (V) and its current (I) draw,  $P=VI$ . The power unit is Watts.

LCD and cell and Backlamp measurements can be performed using a Fluke NetDaq Data Acquisition (Model 2645A), Fluke 87 III multimeter, or the equivalent.

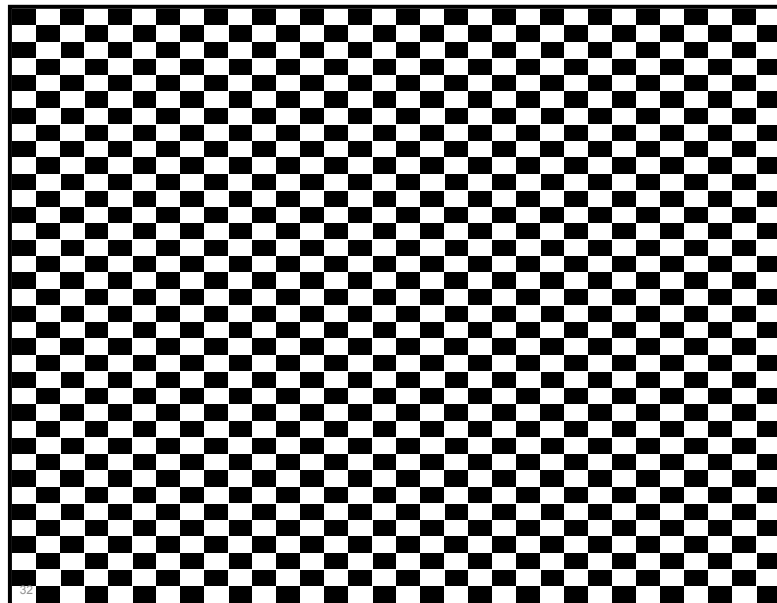
### 7.1 LCD Cell Power Measurement:

The panel's luminance, produced by the backlight, has no impact on the LCD cell power measurement. The power supply connections are made directly to the display's I/O connector pins or to the equivalent location at a system cable termination. For 12.1" single channel LVDS panels, power (3.3V) is supplied through pins 1 and 2. Pin 3 is a 12.1" panel ground. 14.1" – 17.0" 2 channel LVDS panels have pin 2 and 3 designated as "power (3.3V) in". Pin 1 is a 14.1" – 17.0" panel ground. The basic panel power test setups are shown below.





The display cell power varies according to the pattern being displayed on the screen. To eliminate variables in measurement, the screen pattern is fixed as a checkerboard. This pattern provides a typical screen for power measurement. The pattern used is a black and white 32 x 36 checkerboard, slide #100 from the VESA file "Flat Panel Display Monitor Setup Patterns", FPDMSU.ppt. This file is available at the VESA website, [www.vesa.org](http://www.vesa.org).



32 x 36 Black & White Checkerboard Pattern

## 7.2 Backlamp Power Measurement:

The backlamp is driven by an inverter which can be either notebook system supplied or part of a LCD panel module. In either case the true power required to drive the backlamp is a measurement of the inverter input. The efficiency of the inverter and total backlighting system will greatly affect the backlamp power usage. The backlamp power measurement process is the same for all LCD panel sizes. Backlamp power usage is in direct proportion to the panel luminance. As panel luminance increases power also increases. For this reason it is necessary that a standard luminance levels be defined for measurement. These standard luminance levels allow backlamp power comparisons of one panel to another. Two (2) luminance levels are defined for backlamp power measurement.

Level one (1) is the maximum LCD panel luminance. In notebook products this luminance level is typically used with AC system power input. Since the notebook user can set the panel luminance manually, power measurement at this level is required.

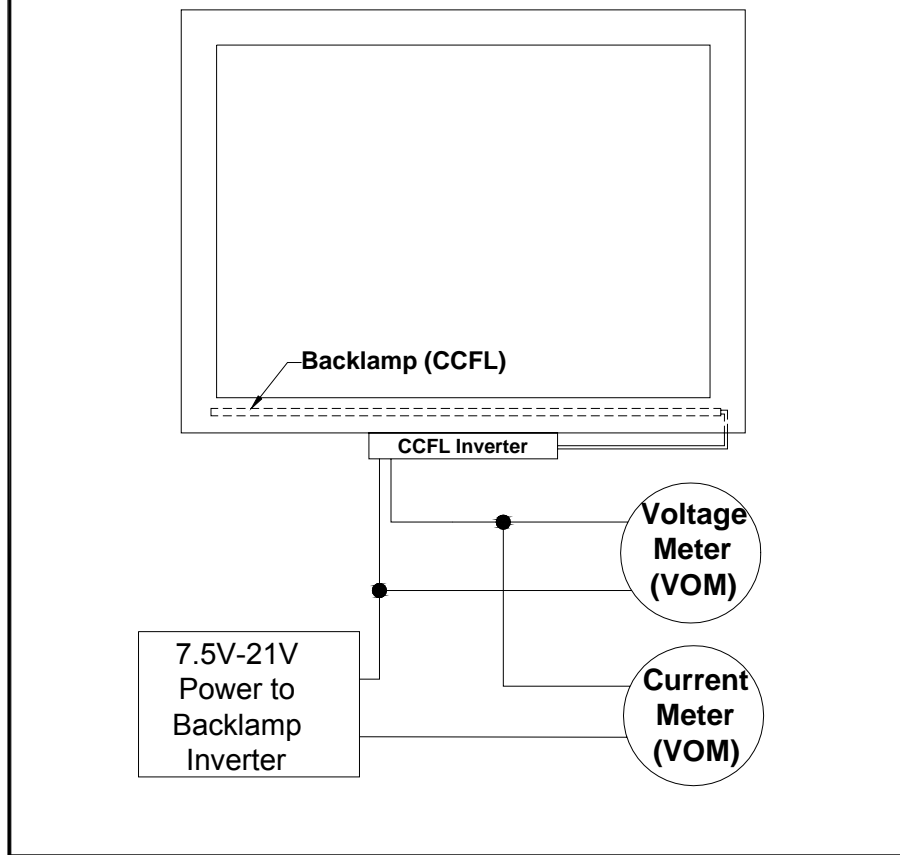
Under battery operation most notebook systems are initially set to optimize battery life and at the same time provide an adequate level of panel luminance. This battery luminance level is typically  $\sim 60$ nits ( $\text{cd}/\text{m}^2$ ). The second (2) luminance level for backlamp power measurement is therefore set manually at  $\sim 60$ nits. 60nits will typically be an approximate preset luminance level in the notebook system.

The backlamp measurement procedure requires that the panel luminance be measured and manually set. First, set the LCD panel to "Luminance Level 1" and measure the inverter input voltage and current draw. Second, set the LCD panel to "Luminance Level 2" and measure the inverter input voltage and current draw. The power is again the product of the voltage and current,  $P=VI$ . See the setup drawing below.

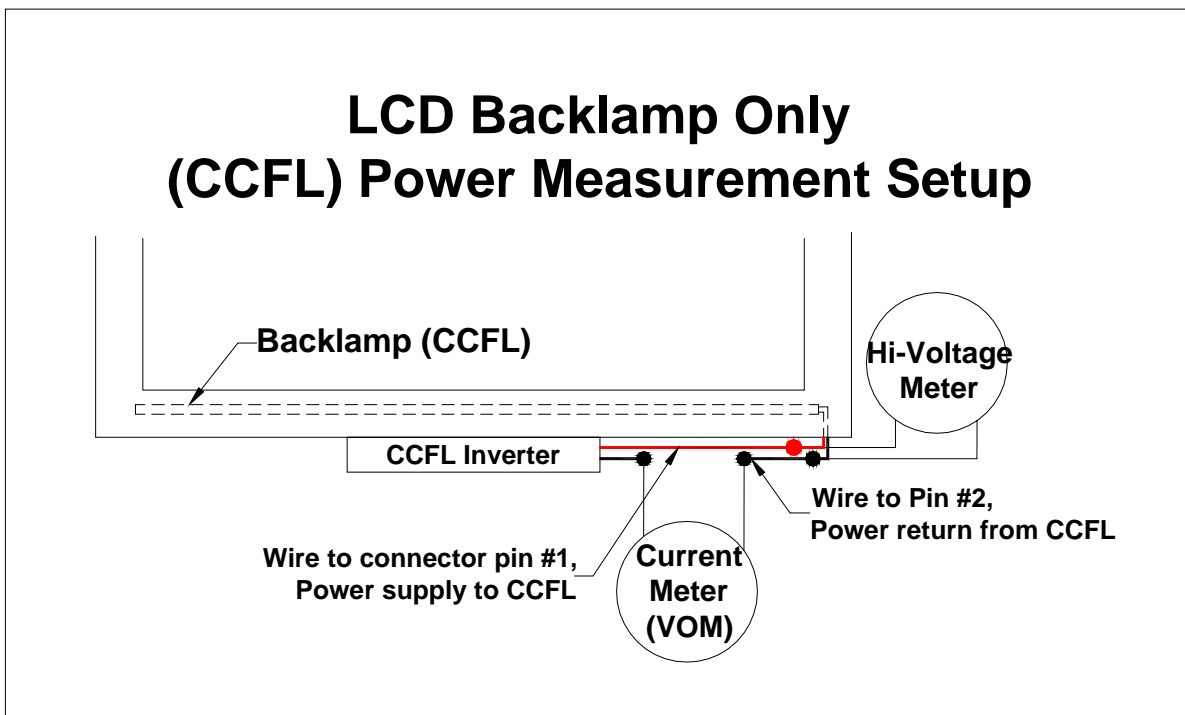
Backlamp measurements can performed using with a Fluke 87 III digital multimeter or the equivalent.

The backlamp power can be measured without the inverter as shown below. The power is again the product of the voltage and current,  $P=VI$

### LCD Backlamp (CCFL) with Inverter Power Measurement Setup



### LCD Backlamp Only (CCFL) Power Measurement Setup



## 8.0 Inverter Integration:

This section is optional but is highly recommended.

Backlamp inverters can be integrated to the LCD panel module. This provides for true panel interchangeability from one LCD supplier to another. This also insures optimized compatibility between the inverter and the LCD panel.

Inverter integration to the LCD panel requires that the inverter dimensions, location, connector type and location, and I/O pin-outs be defined for all size panels. 12.1"W, 13.3", 14.1", 15.0", 15.4"W, and 17.0"W use a 20-pin inverter input connector. The 13.3"W & 14.1W panel use a 12-pin inverter input connector.

The inverter locations and the input pin-outs are shown in the charts and drawings below.

### 8.1 Inverter Input Connectors

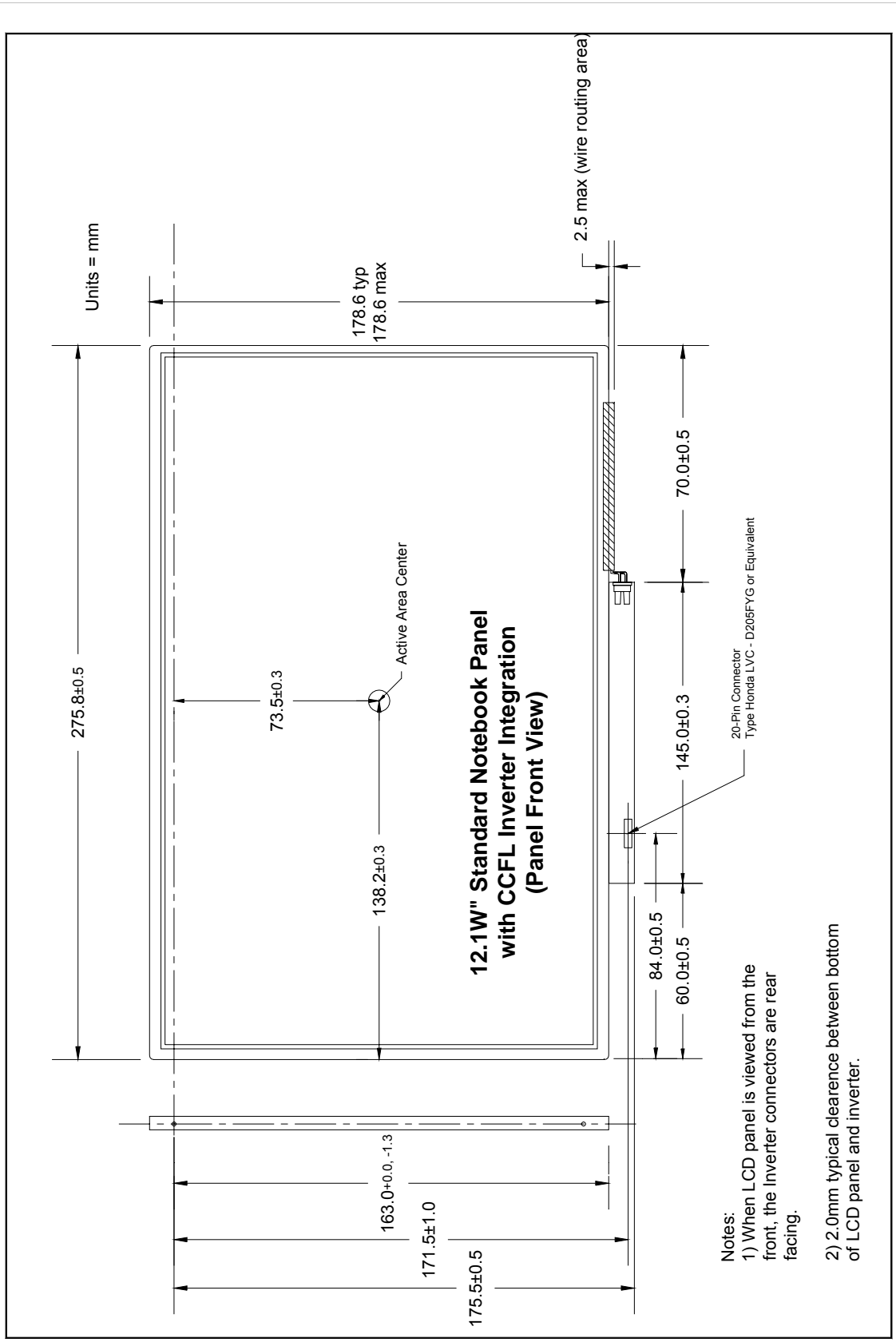
#### 8.1.1. 12.1"W, 13.3", 14.1", 15.0" 15.4'W, and 17.0W" Inverter Input Connector Pin-Out

| Input connector                    |           | Voltage     | Comments                                                                                                                                                                     |
|------------------------------------|-----------|-------------|------------------------------------------------------------------------------------------------------------------------------------------------------------------------------|
| Honda LVC-D20SFYG<br>or equivalent |           |             |                                                                                                                                                                              |
| Pin                                | Function  |             |                                                                                                                                                                              |
| 1                                  | INV_SRC   | 7.5V to 21V | This power rail should be used as a power rail to drive the backlight DC-AC converter                                                                                        |
| 2                                  | INV_SRC   | 7.5V to 21V | This power rail should be used as a power rail to drive the backlight DC-AC converter                                                                                        |
| 3                                  | INV_SRC   | 7.5V to 21V | This power rail should be used as a power rail to drive the backlight DC-AC converter                                                                                        |
| 4                                  | NC        | -           | No Connection                                                                                                                                                                |
| 5                                  | GND       | 0V          | Ground                                                                                                                                                                       |
| 6                                  | NC        | -           | No Connection                                                                                                                                                                |
| 7                                  | 5VALW     | 5V          | This should be used as power source for the control circuitry on the inverter and stores the brightness/contrast values & the circuit that interfaces with SMB_CLK & SMB_DAT |
| 8                                  | GND       | 0V          | Ground                                                                                                                                                                       |
| 9                                  | SMB_DAT   |             | SMBus interface for sending brightness & contrast information to the inverter/panel                                                                                          |
| 10                                 | SMB_CLK   |             | SMBus interface for sending brightness & contrast information to the inverter/panel                                                                                          |
| 11                                 | GND       | 0V          | Ground                                                                                                                                                                       |
| 12                                 | FPBACK    |             | Control signal input into the inverter to turn the backlight ON & OFF (1 - ON, 0 - OFF)                                                                                      |
| 13                                 | GND       | 0V          | Ground                                                                                                                                                                       |
| 14                                 | LAMP_STAT |             | Lamp status (Feedback, Lamp On = 5v, Lamp Off 0v), from control chip                                                                                                         |
| 15 ~ 20                            | NC        | -           | No Connection                                                                                                                                                                |

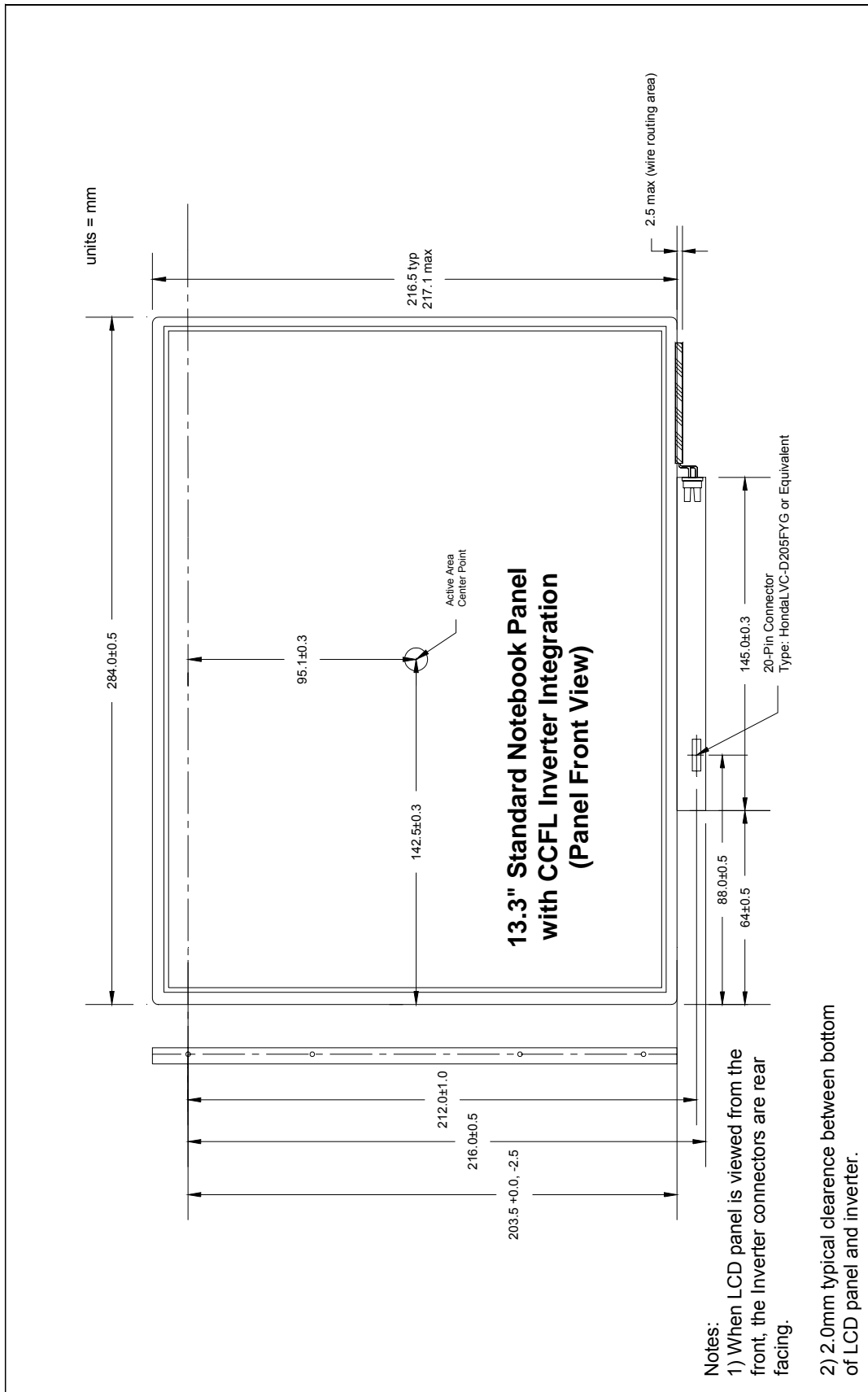
### 8.1.2. 13.3"W & 14.1"W Inverter Input Connector Pin-Out

| Input connector                  |           | Voltage     | Comments                                                                                                                                                                     |
|----------------------------------|-----------|-------------|------------------------------------------------------------------------------------------------------------------------------------------------------------------------------|
| JAE FI-K12SL-VF<br>or equivalent |           |             |                                                                                                                                                                              |
| Pin                              | Function  |             |                                                                                                                                                                              |
| 1                                | INV_SRC   | 7.0V to 21V | This power rail should be used as a power rail to drive the backlight DC-AC converter                                                                                        |
| 2                                | INV_SRC   | 7.0V to 21V | This power rail should be used as a power rail to drive the backlight DC-AC converter                                                                                        |
| 3                                | INV_SRC   | 7.0V to 21V | This power rail should be used as a power rail to drive the backlight DC-AC converter                                                                                        |
| 4                                | 5VALW     | 5V          | This should be used as power source for the control circuitry on the inverter and stores the brightness/contrast values & the circuit that interfaces with SMB_CLK & SMB_DAT |
| 5                                | GND       | 0V          | Ground                                                                                                                                                                       |
| 6                                | SMB_DAT   |             | SMBus interface for sending brightness & contrast information to the inverter/panel                                                                                          |
| 7                                | SMB_CLK   |             | SMBus interface for sending brightness & contrast information to the inverter/panel                                                                                          |
| 8                                | GND       | 0V          | Ground                                                                                                                                                                       |
| 9                                | FPBACK    |             | Control signal input into the inverter to turn the backlight ON & OFF (1 - ON, 0 - OFF) PWM Enable                                                                           |
| 10                               | GND       | 0V          | Ground                                                                                                                                                                       |
| 11                               | PWM       | Variable V  | Pin used for PWM voltage input brightness control.                                                                                                                           |
| 12                               | LAMP_STAT | 0V/5V       | Lamp status, used for panel diags, (Feedback, Lamp On = 5v, Lamp Off 0v), from control chip.                                                                                 |

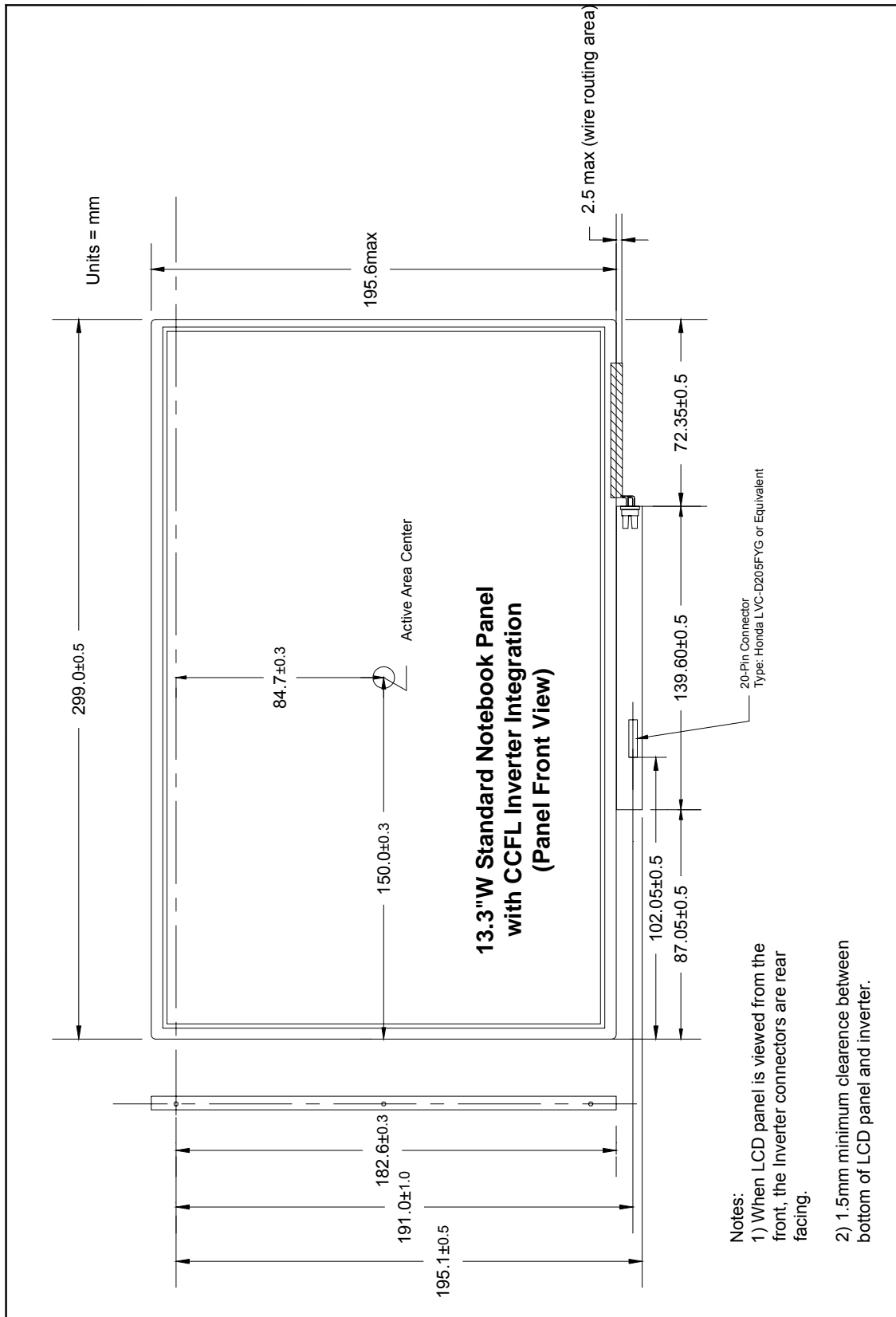
## 8.2 12.1" W Integrated Inverter Placement



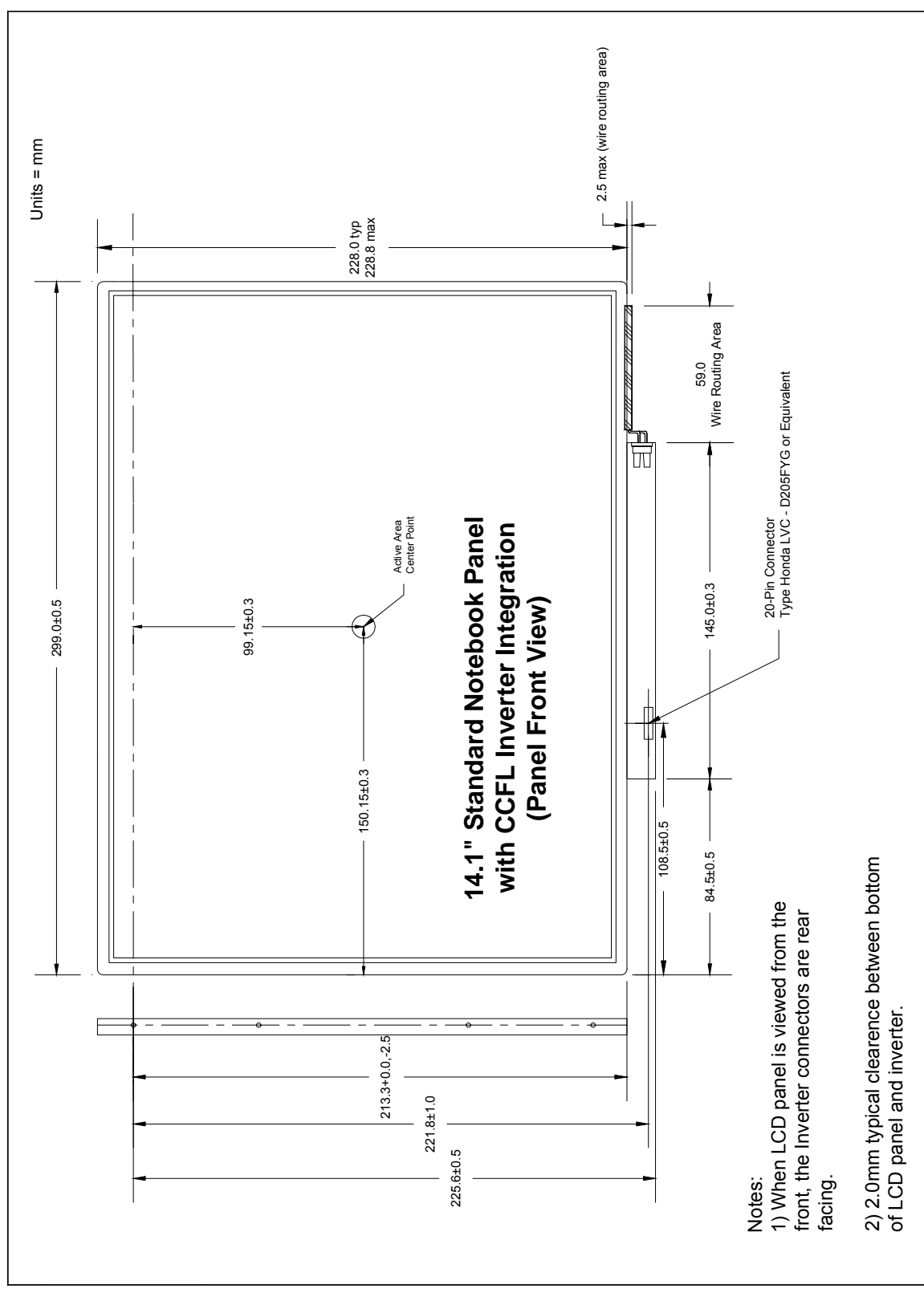
### 8.3 13.3" Integrated Inverter Placement



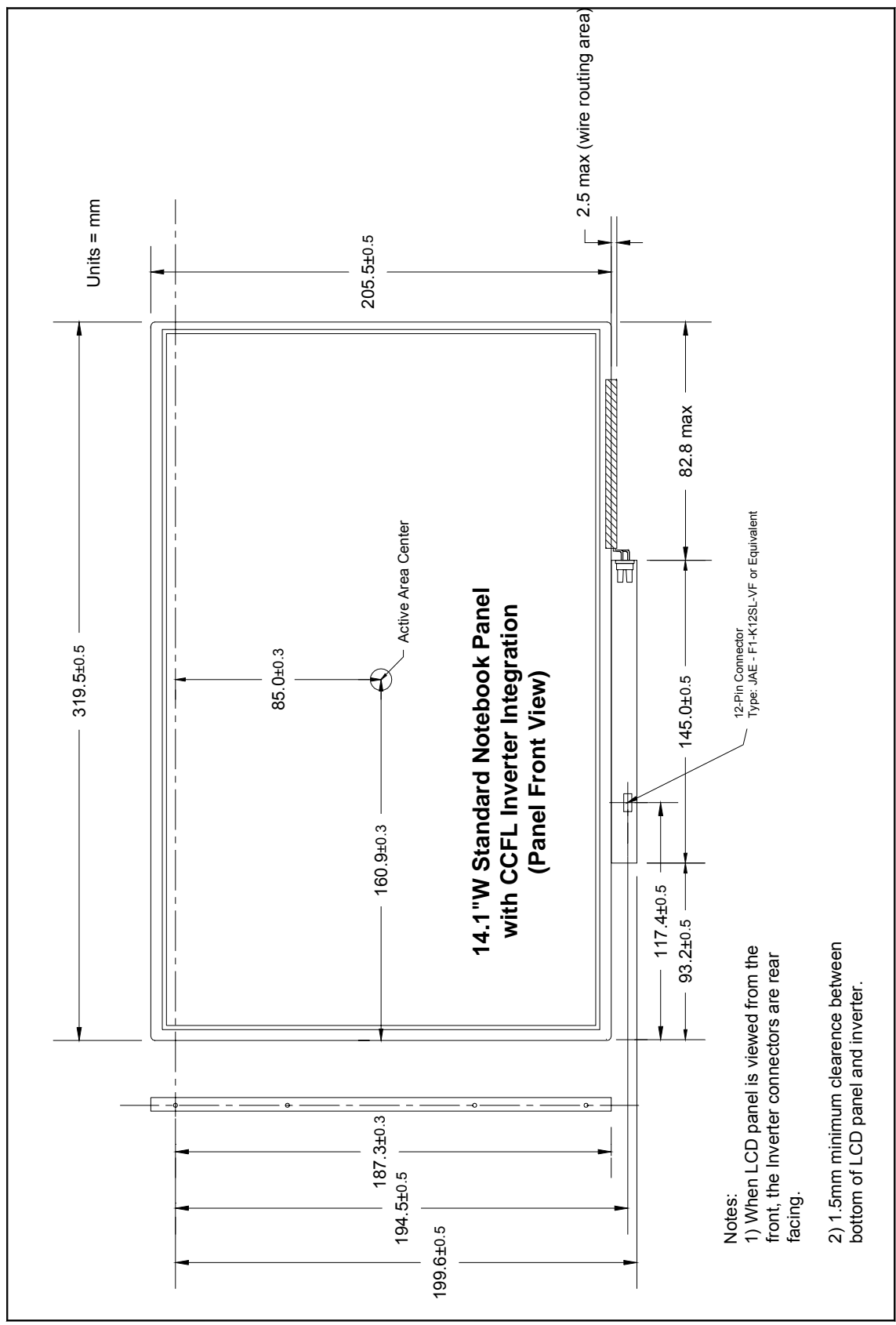
8.4 13.3"W Integrated Inverter Placement



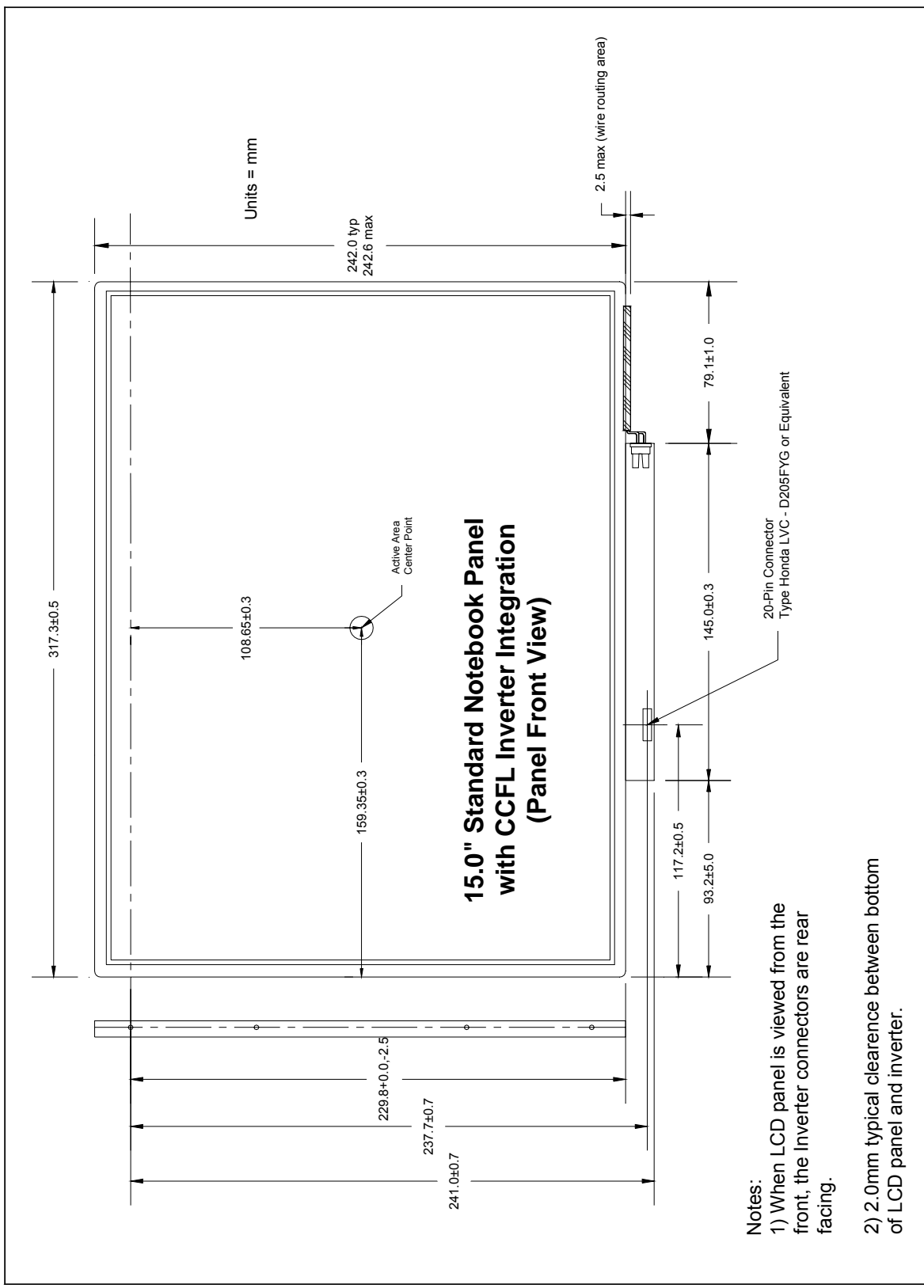
### 8.5 14.1" Integrated Inverter Placement



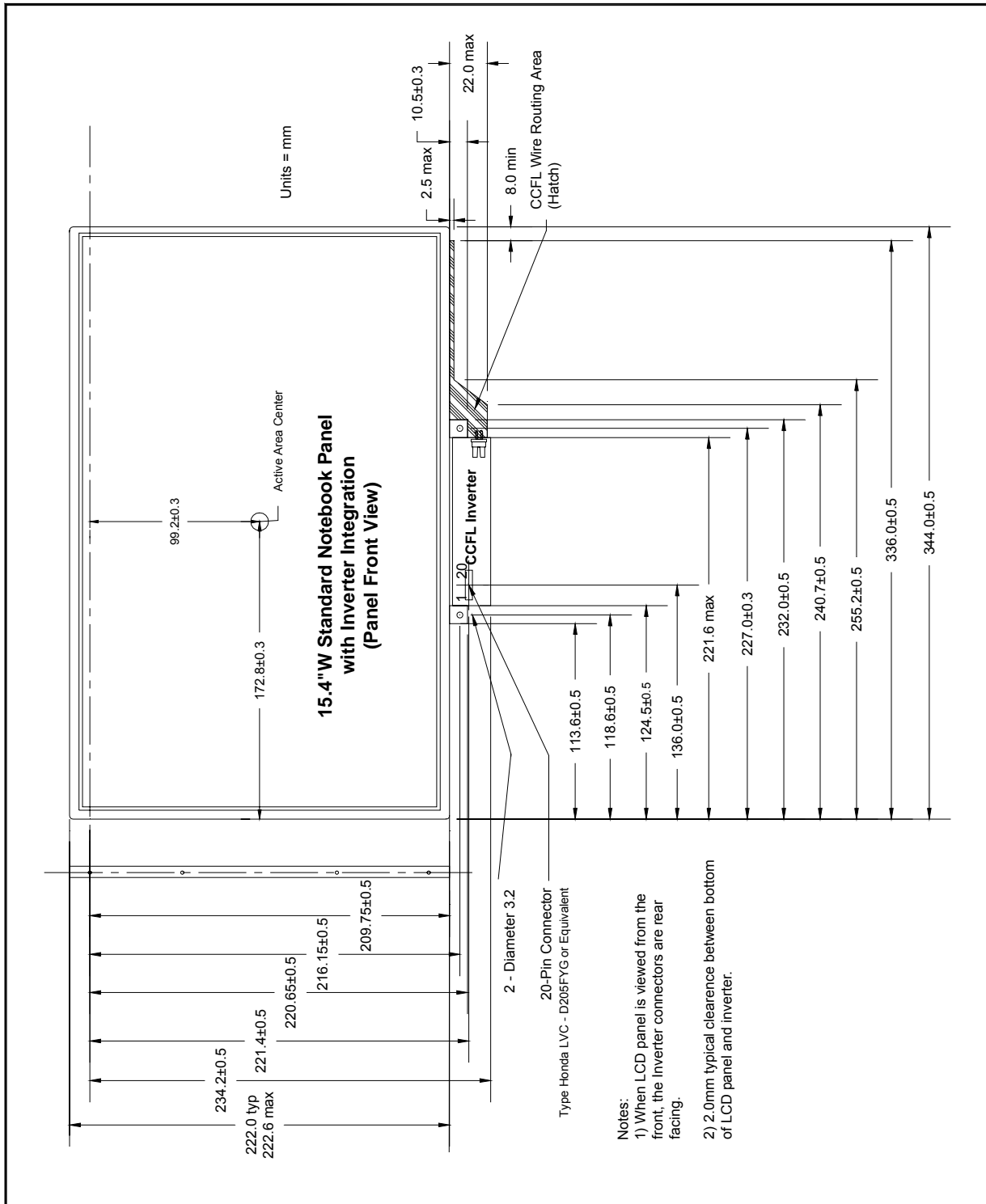
### 8.6 14.1"W Integrated Inverter Placement



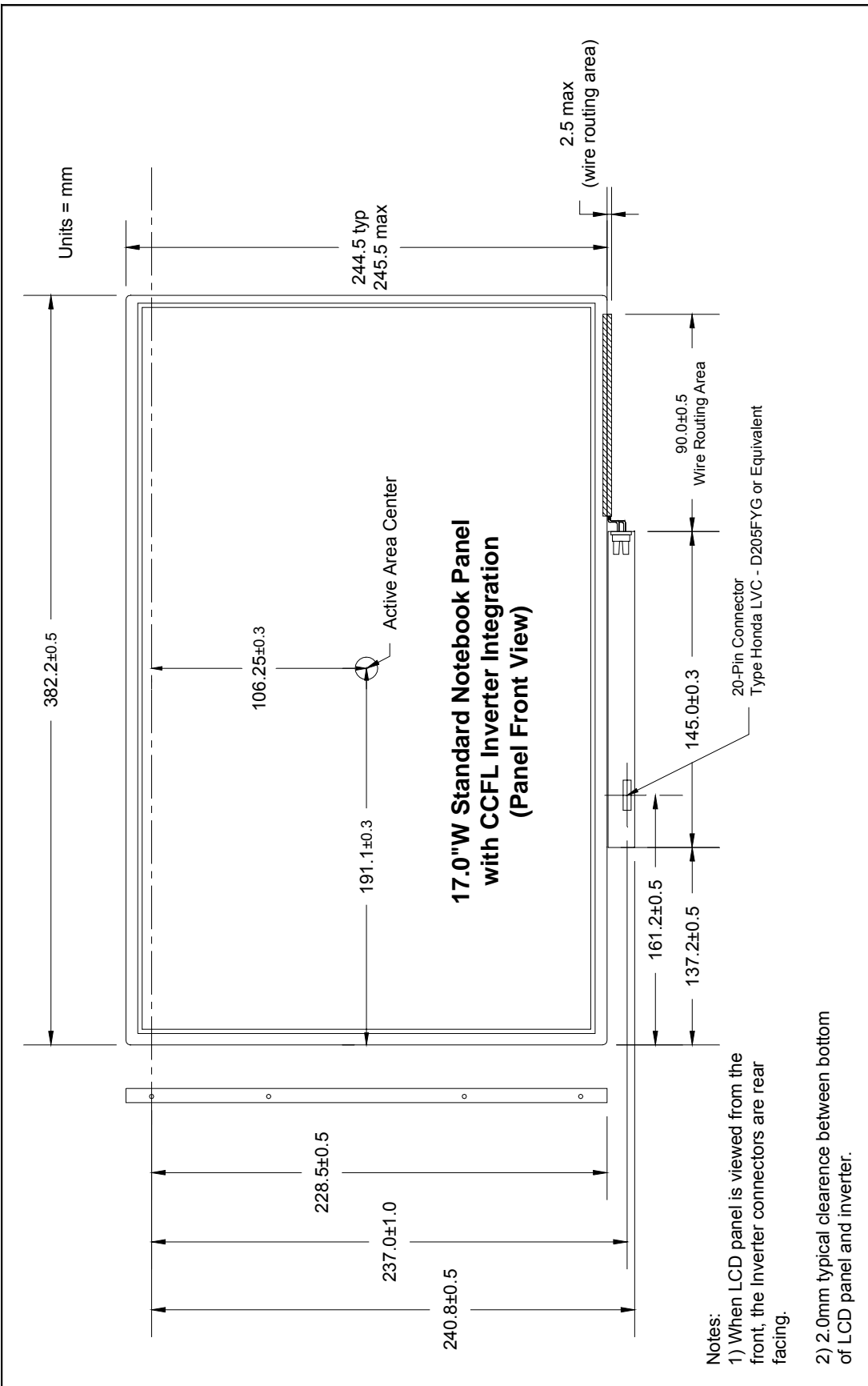
### 8.7 15.0" Integrated Inverter Placement



# 8.8 15.4" W Integrated Inverter Placement



**8.9 17.0" W Integrated Inverter Placement**



## **9.0 Screen Cosmetic Evaluation:**

- 9.1 Display screen cosmetic evaluation limits are established by the PC maker and the LCD supplier. Those screen cosmetics for evaluation are defined below.
- 8.2.1 **Black Spots** – Minor Defect (Contamination in front polarizer layer) Spots that appear dark in the display pattern and vary/remain unchanged in terms of size and shade regardless of the adjustment of brightness or viewing angle. Defects are typically visible with the panel turned off but may, in some cases, be noticeable in white or 32 gray screens.
- 8.2.2 **Black Lines** – Minor Defect (Contamination in front polarizer layer) Lines that appear dark in the display pattern and vary/remain unchanged in terms of size and shade with the adjustment of brightness or viewing angle. Defects are typically visible with the panel turned off but may, in some cases, be noticeable in white or 32 gray screens.
- 8.2.3 **White Spots** – Minor Defect (Contamination in front polarizer layer) - Spots that appear light in the display pattern and vary/remain unchanged in terms of size and shade regardless of the adjustment of brightness or viewing angle. Defects are typically visible with the panel turned off but may, in some cases, be noticeable in black or 32 gray screens.
- 8.2.4 **White Lines** – Minor Defect (Contamination in front polarizer layer) Lines that appear light in the display pattern and vary/remain unchanged in terms of size and shade regardless of the adjustment of brightness or viewing angle. Defects are typically visible with the panel turned off but may, in some cases, be noticeable in black or 32 gray screens.
- 8.2.5 **Nap** – Minor Defect (Contamination in front or rear polarizer layers) This refers to fibrous material such as lint/hair within the display. Defects are typically visible with the panel turned off but may, in some cases, be noticeable in white or 32 gray screens
- 8.2.6 **Polarizer Scratches** – Minor Defect This refers to an actual scratch on the Polarizer (outside) surface.
- 8.2.7 **Polarizer Dents** – Minor Defect Dents are small indentations or impressions on the Polarizer (outside) surface.
- 8.2.8 **Rub** – Minor Defect This is an unevenness, or shiny spot, on the display surface where the anti-glare coating has been damaged or removed.
- 8.2.9 **Pixel Failure (Stuck On)** – Minor Defect within spec, Major Defect outside of spec limits This is a failure of the pixel on a TFT display; it is most often bright and will be a particular color.
- 8.2.10 **Pixel Failure (Stuck Off)** – Minor Defect within spec, Major Defect outside of spec limits This is a failure of the pixel on a TFT display; it is most often black and will be seen only on 32 gray or colored backgrounds.
- 8.2.11 **Line (Row / Column) Out** – Major Defect During operation the unit displays one or more horizontal or vertical lines in black, red, green, or blue patterns.
- 8.2.12 **Glass Crack** – Major Defect Refers to a fracture in a glass layer of the display

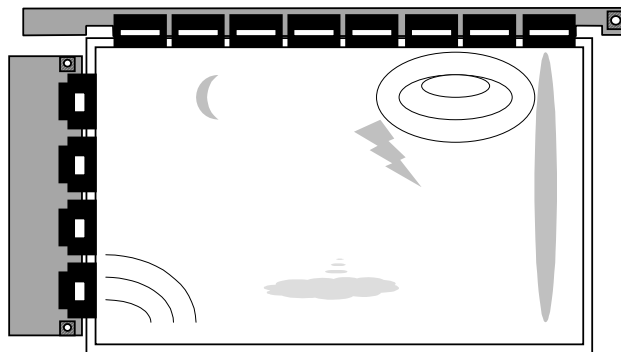
**8.2.13 White or black spots** – Minor Defect within spec, Major Defect outside of spec limits Refers to white or black spots visible within the glass cell only visible during panel operation, white, black, 32 gray, red, green, or blue screen patterns.

**8.2.14 Etch / TFT** – Major Defect Usually reflected as a failure of a part of a single row, or a column only visible during panel operation, black, red, green, or blue screen patterns

**8.2.15 Backlight** – Major Defect Backlight does not operate. Videotext is barely perceptible on the screen, and no light is visible along the edges of the LCD.

**8.2.16 LGP (Light Guide Pipe)** – Major Defect Panel operates but white scratch like lines are visible seen from an angle, or black spots that show up in all color display patterns. Typically caused by a crack in the plastic LGP portion of the backlight assembly.

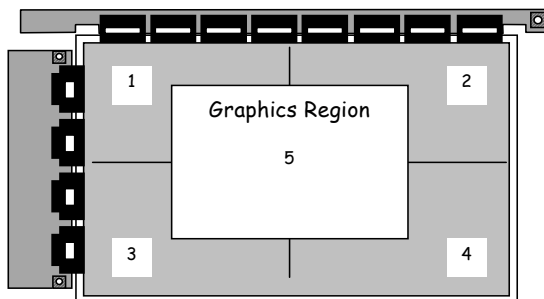
**8.2.17 Pooling / Ripple** - Minor Defect within spec, Major Defect outside of spec limits This caused by the displacement of spacers and liquid crystal (LC) material that result in a visible discoloration in the shape of wavy lines, circles (Newton Rings), spots, ½ moons, or other irregularities in the display pattern.



**9.1.18 Light Leak** – Minor Defect CCFL light leak at the edges of the screen outside of CR 10:1 viewing angles. Major Defect when CCFL light leak occurs within the CR10:1 viewing angle.

**9.2** Display screen cosmetic defects may be weighted by their location. The drawings below define these screen locations (quadrants).

Display Quadrants



| LCD Size    | Graphics Region Dimensions |
|-------------|----------------------------|
| 12" – 13.9" | 6" x 4"                    |
| 14" – 15.4" | 7" x 5"                    |
| 17.0"       | 8" x 6"                    |

Note: A clear plastic sheet with the display quadrants outlined can be used as a reference for checking defect location.

### 9.3 Cosmetic Visual Defects:

NOTE: Functional defects take precedence over visual.

| Defect Type                                                                | Panel Type                                   | Reject Size (mm)<br>Reject Count (n) | Notes | Defect Severity |
|----------------------------------------------------------------------------|----------------------------------------------|--------------------------------------|-------|-----------------|
| White / Black Spots<br>(Contamination in/on<br>front polarizer layer)      | New panel or post reliability<br>stress test | Dia > 0.7 mm<br>n =>                 | 1, 3  | Minor Defect    |
| White / Dark Lines & Nap<br>(Contamination in/on front<br>polarizer layer) | New panel or post reliability<br>stress test | W > 0.7 mm<br>L > 1.0 mm<br>n =>     | 2, 3  | Minor Defect    |
| Polarizer Scratch                                                          | New panel                                    | W > 0.4 mm<br>L > 5.0 mm<br>n =>     | 2     | Minor Defect    |
| Polarizer Scratch                                                          | Post reliability stress test                 | W > 0.4 mm<br>L > 5.0 mm<br>n =>     | 2     | Minor Defect    |
| Polarizer Dent                                                             | New panel                                    | D > 0.5 mm<br>n >                    | 2     | Minor Defect    |
| Polarizer Dent                                                             | Post reliability stress test                 | D > 0.5 mm<br>n >                    | 2     | Minor Defect    |
| Newton Ring<br>(Cell Internal)                                             | New panel or post reliability<br>stress test | Dia > 20 mm<br>n =>                  | 2, 3  | Major Defect    |
| Newton Ring<br>(Cell Internal)                                             | New panel or post reliability<br>stress test | Dia > 20 mm<br>n =>                  | 2, 3  | Major Defect    |
| Rub Defect                                                                 | New panel                                    | Not Allowed                          | 2     | Minor Defect    |
| Rub Defect                                                                 | Post reliability stress test                 | Not Allowed                          | 2     | Minor Defect    |
| Glass Crack                                                                | New panel or post reliability<br>stress test | Not Allowed                          | 2, 3  | Major Defect    |
| Polarizer delamination<br>(Bubble)                                         | New panel or post reliability<br>stress test | >0.10 mm<br>n >                      | 2     | Minor Defect    |
| Total number for all<br>major & minor defects                              | New panel or post reliability<br>stress test | n =>                                 |       | All Defect      |

Note 1: White/black spots are inspected within the panel viewing angles only

Note 2: Inspected with the panel turned off.

Note 3: Inspected with both a white and 32 level gray screen pattern.

### 9.4 Screen Functional Defects:

Evaluated in Black, White, Red, Green, Blue, and 32 Gray screens.

NOTE: Functional defects take precedence over visual defects

| Defect Type                                                                                            | Panel Type                                       | Reject Size (mm)<br>Reject Count (n)                                | Notes                | Defect Severity     |
|--------------------------------------------------------------------------------------------------------|--------------------------------------------------|---------------------------------------------------------------------|----------------------|---------------------|
| Bright Pixels – Random                                                                                 | New panel                                        | n >                                                                 | All Quadrants        | Major Defect        |
| Bright Pixels – Green                                                                                  | New panel                                        | n >                                                                 | All Quadrants        | Major Defect        |
| Bright Pixels – 2 Adjacent                                                                             | New panel                                        | n >                                                                 | All Quadrants        | Major Defect        |
| Bright Pixels – 2 Adjacent Green                                                                       | New panel                                        | n >                                                                 | All Quadrants        | Major Defect        |
| Dark Pixels – Random                                                                                   | New panel                                        | n >                                                                 | All Quadrants        | Minor Defect        |
| Dark Pixels 2 Adjacent                                                                                 | New panel                                        | n >                                                                 | All Quadrants        | Minor Defect        |
| <b>Total Bright and Dark Pixels</b>                                                                    | <b>New panel</b>                                 | <b>n &gt;</b>                                                       | <b>All Quadrants</b> | <b>Major Defect</b> |
| Distance between Dark Pixels                                                                           | New panel                                        | < 5mm, n ><br>> 5 mm, n >                                           |                      | Minor Defect        |
| Bright Pixel (Green sub-pixel)                                                                         | Post reliability stress test                     | Dia > 0.60, n ><br>0.30 < Dia ≤ 0.60, n ><br>0.10 < Dia ≤ 0.30, n > |                      | Major Defect        |
| Distance between bright pixel defects:                                                                 | Post reliability stress test                     | < 15 mm n ><br>>15 mm n >                                           |                      | Major Defect        |
| Dark Pixel                                                                                             | Post reliability stress test                     | Dia > 0.60, n ><br>0.30 < Dia ≤ 0.60, n ><br>0.10 < Dia ≤ 0.30, n > |                      | Minor Defect        |
| Distance between Dark Pixels                                                                           | Post reliability stress test                     | < 5 mm, n ><br>> 5 mm, n >                                          |                      | Minor Defect        |
| Bright adjacent pixels                                                                                 | Post reliability stress test                     | n >                                                                 |                      | Major Defect        |
| Dark adjacent pixels                                                                                   | Post reliability stress test                     | n >                                                                 |                      | Minor Defect        |
| Etch / TFT                                                                                             | New panel or post reliability stress test        | Not Allowed                                                         | All Quadrants        | Major Defect        |
| Light leak                                                                                             | New panel or post reliability stress test        | Not Allowed                                                         |                      | Major Defect        |
| Static Pooling/ Ripple                                                                                 | New panel or post reliability stress test        | None allowed                                                        | All Quadrants        | Major Defect        |
| Dynamic Pooling/Ripple < 2 sec after cover movement stops<br>No pooling/ripple during system operation | New panel or post reliability stress test        | n >                                                                 | All Quadrants        | Major Defect        |
| <b>Total number of all Major and Minor Defects</b>                                                     | <b>New panel or post reliability stress test</b> | <b>n &gt;</b>                                                       | <b>All Quadrants</b> | <b>All Defects</b>  |

## 10.0 Panel Reliability:

LCD panel must be qualified thru environmental and reliability testing. This testing may be performed in a notebook system or on stand alone panels. The Limits for testing will be dependent on the system or fixture used in the tests. The reliability tests shown below are typical of those necessary for panel qualification/approval. The sample plan shown below is an example only and is not meant to define a standard test plan. Stand alone LCD panel testing requires that test fixtures be designed and correlated with system test results.

### 10.1 Sample LCD Panel Stand Alone Environmental and Reliability Test Plan

| <b>Environmental Test</b>                | <b>Test Conditions</b>                                                                                                          |
|------------------------------------------|---------------------------------------------------------------------------------------------------------------------------------|
| Operating Life - High Temp.              | Temp.= +50°C, Dynamic. 250 Hours                                                                                                |
| Operating Life - Low Temp.               | Temp.= 0°C, Dynamic, 250 Hours                                                                                                  |
| High Temp. Storage Life - Non-Operating  | Temp.= +65°C, Non-Operating, 250 Hours                                                                                          |
| Low Temp. Storage Life                   | Temp.= -25°C, Non-Operating, 250 Hours                                                                                          |
| Torsion Test                             | Panel Twisted to defined limits                                                                                                 |
| High Temp & High Humidity Operating Life | Temp.= +40°C, Dynamic, Humidity 95% ( Non-Condensing), 250 Hours                                                                |
| RCF (Repetitive Compressive Force)       | 20mm, 80 durometer plunger, 5000 cycles                                                                                         |
| Shock - Non-Operating                    | 220g's, 2.0 ms, Half Sine Wave<br>± 3 Axis ( +X, -X, +Y, -Y, +Z, -Z)<br>3 Shocks per Direction                                  |
| Vibration - Non-Operating                | 1.5 Grms, 30 min/side, PSD Spectrum Break Points, 26 Hz G2/Hz=0.316, 50 Hz G2/Hz=0.007, 222 Hz G2/Hz=0.0018, 500Hz G2/Hz=0.0001 |
| Temp. Cycle - Operating                  | 0°C to+40°C, Ramp ≤20°C/min, Duration at Temp. = 30min, Test Cycles = 160                                                       |
| Temp. Cycle - Non-Operating              | -25°C to +65°C, Ramp ≤20°C/min, Duration at Temp. = 30min, Test Cycles = 160                                                    |